



petrobank
PETROBANK PETROL & MEDİKAL İTH. İHR. SAN. VE TİCARET LTD ŞTİ



FERTEL
FOREIGN TRADE LTD COMPANY

Hosgeldiniz



AWARD WINNING DESIGNS



Maksimum İrtifa
4.000 Feet



ARMY AND MILITARY EQUIPMENTS





Description

This camouflage uniform is customized for the soldiers in different battlefield. Whatever soldier in woodland or jungle or desert battlefield, this multicam color could provide perfect camouflage function. Fabric: NC 60% cotton and 40% Nylon 240 GSM is the best composition and thickness for wear-resistance, Especially for different kinds of battlefield. The color fastness of lighting, washing and rubbing could reach level 4

DRESSUNIFORM MODEL CAMOUFLAGE

MILITARY UNIFORM BATTLE

PETROBANK

ENERGY



MILITARY WARE





petrobank
PETROBANK PETROL & MEDİKAL İTH. İHR. SAN. VE TİCARET LTD ŞTİ
www.petrobank.net **SINCE 2006**



MILITARY ARMY COMBAT UNIFORM



Description

Fabric: CVC 50%cotton and 50%polyester,210GSM is the best composition and thickness for soft and wear resistant,Especially for the most of the climate and environment and soldier's daily training.Reactive dyes is the best choice for deying and printing for military garment.All test requirements are met such as color fastness, breaking strength, tensile strength, etc.





petrobank
PETROBANK PETROL & MEDİKAL İTH. İHR. SAN. VE TİCARET LTD STİ

PETROBANK GROUP
ARMY TEXTILES



FERTEL
FOREIGN TRADE LTD COMPANY

ATF FERTEL



TACTICAL TEXTILE WARE

PETROBANK GROUP

ARMY TEXTILES

ATF
FERTEL



**MILITARY ARMY COMBAT UNIFORM
MODEL ACU COLOR VEGE
TATO CAMOUFLAGE FOR ARMY SOLDIERS**

Description This camouflage uniform is for Mediterranean countries. Vegetatao camouflage mullicam, as it is on the fieldenvironment like. Fabric: TC 35% cotton and 65% polyester, 210GSM, soft and best for weardurable in composition and thickness, especially for most of the climate and

environment and daily training of the soldier.It is the best choice for dyeing and printing on military clothing.





MULTICAM MILITARY ARMY UNIFORM
MODEL ACU COLOR LIGHT

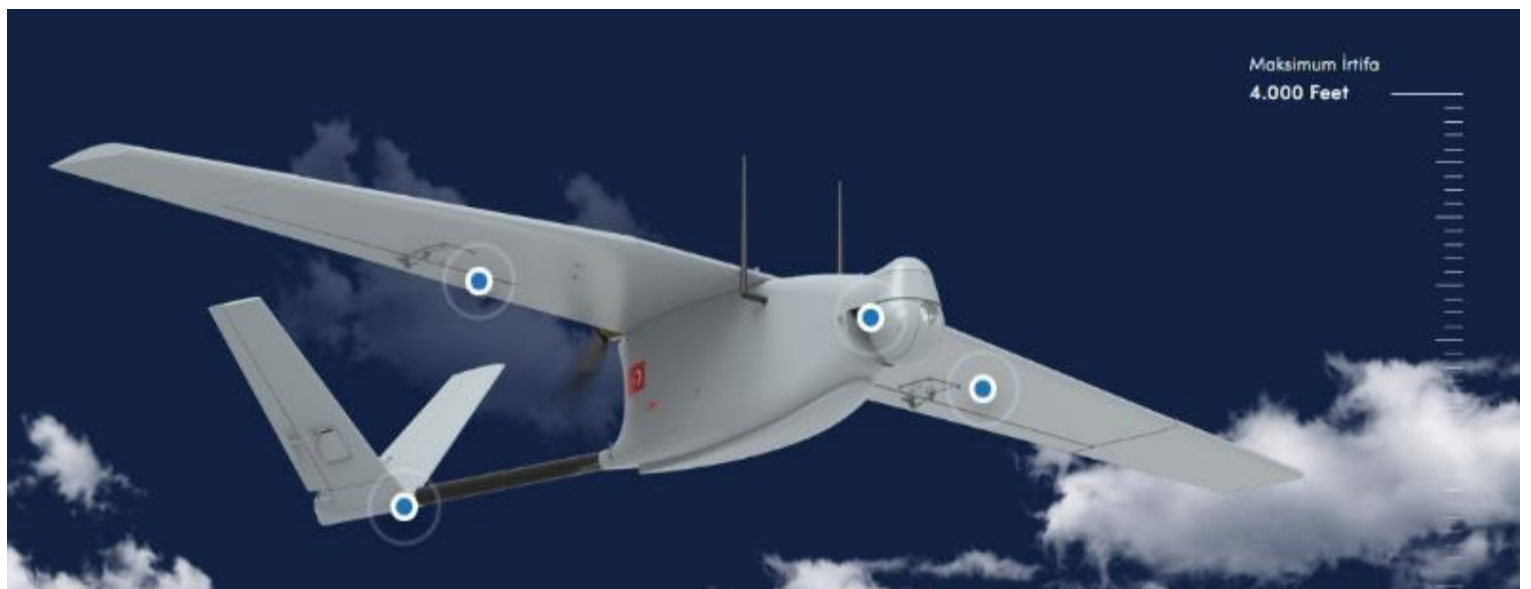


Description
This camouflage uniform is for the soldier all around the world. The camouflage color multicam fits most kind of battle field like desert, woodland, mountain, etc
Fabric: TC 35% cotton and 65% polyester, 210GSM is the best composition and thickness for soft and wear resistant, Especially for the most of the climate and environment and soldier's daily training
Reactive dyes is the best choice for dyeing and printing for military garment. Mesh design on the back could help the rangers getting efficient thermal dissipation



PETROBANK GROUP
ARMY TEXTILES





TROUSERS WAIST
Fastener Trousers waist
design with waist belt inside

HIP PATCH
Double layer sewing
hip patch,wearproof

TACTICAL POCKET
Invisible fold tactical
large size pocket

LEG OPENING
Fasten band inside





FERTEL

FOREIGN TRADE LTD COMPANY



FERTEL

FOREIGN TRADE LTD COMPANY

PETROBANK GROUP

ARMY TEXTILES

FF
FERTEL



FF
FERTEL

PETROBANK GROUP
ARMY TEXTILES

TACTICAL TEXTILE WARE

PETROBANK GROUP

ARMY TEXTILES



FERTEL

FOREIGN TRADE LTD COMPANY

TACTICAL TEXTILE WARE



PETROBANK GROUP

ARMY TEXTILES

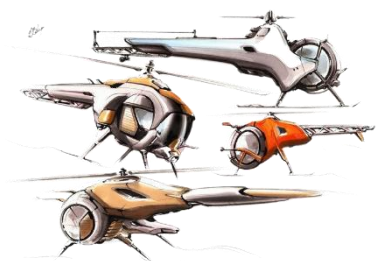


PETROBANK GROUP
ARMY TEXTILES




FERTEL

PETROBANK GROUP
ARMY TEXTILES







N/C Weave Plain,
Twill, Rip-Stop
Fabric Weight
(Yarn Count,
Density)
Can be
customized
Tensile/
Tear Strength
EU Standard
Colorfastness
EU Standard
Color
ANY color
available

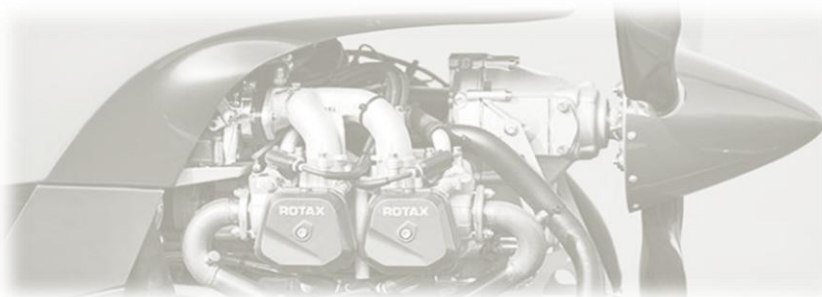
Product Description

Product Name

British Camouflage

BDU Material T/C,

100% Cotton,



Size Size can be
customized

OEM Service

Design can be customized, can
put customer Logo on the ves

COLLAR DESIGN

Classical stand collar

SHOULDERS DESIGN

Reinforce shoulder board

POCKET DESIGN

Wide pocket

CUFF DESIGN

Adjustable cuff



NECKLINE



SHOULDER



POCKET



CUFF

PETROBANK GROUP

ARMY TEXTILES



FERTEL

PETROBANK GROUP

ARMY TEXTILES



**MILITARY UNIFORM ARMY COMBAT UNIFORM
MODEL ACU COLOR DIGITAL WOODLAND FOR**



Description

Fabric: CVC 50%cotton and 50%polyester,210GSM is the best composition and thickness for soft and wear resistant,Especially for the most of the climate and environment and soldier's daily training.Reactive dyes is the best choice for dyeing and printing for military garment.All test requirements are met such as color fastness, breaking strength, tensile strength, etc.

FERTEL

PETROBANK GROUP

ARMY TEXTILES



FERTEL

FOREIGN TRADE LTD COMPANY



FERTEL

FOREIGN TRADE LTD COMPANY



FERTEL

FOREIGN TRADE LTD COMPANY



PETROBANK GROUP

ARMY TEXTILES



PETROBANK GROUP
ARMY TEXTILES



FERTEL
PETROBANK GROUP
ARMY TEXTILES



Mandarin Collar

Rank Insignia Holder

Name Tape Holder

Branch Tape Holder

(3LEMİ)

Shoulder Pockets

(ÜBC Dİ: OM)

U.S. ARMY

2 Chest Pockets

Zipper Front w/Flap Closure

(GİZLİ FERMUAR PATİ)

Elbow Pad Pouches

(DİRSE PEDLE)

Pen Pocket

(CEBİ)

Pleated Back

(BEL)

Hook & Loop Cuffs

(FLİ (R))

2 Front Slash Pockets

(2/)

Drawstring Waist

(İİ)

Reinforced Seat & Knees

(MAŞLI ZLER)

Button Fly

(ÖFİ FEİ)

Knee Pad Pouches

(LERİ)

(2 ADET KARGO CEPLERİ 45 DERECE EĞİMLİ KÖRÜKLÜ, CİRTLİ LASTİKLİ STOPERLİ BÜZME İPİ)

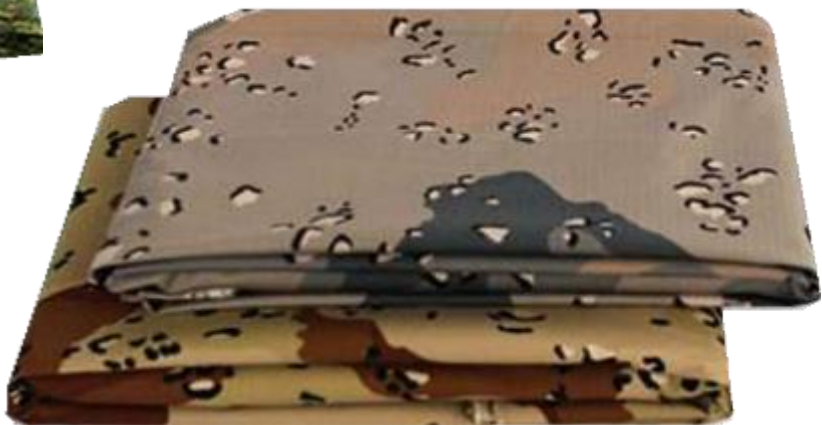
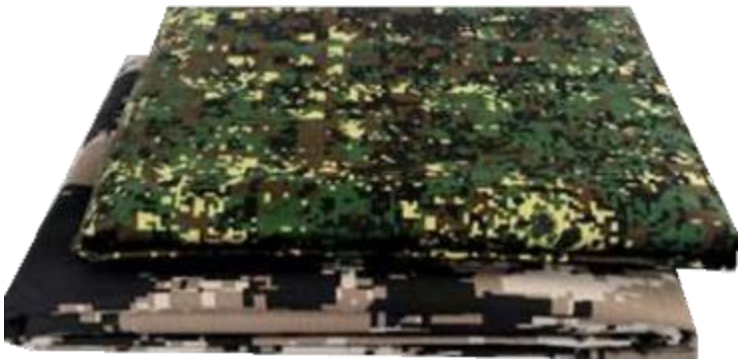
2 Cargo Pockets w/Tilted Flap, Hook & Loop Closure & Elastic Drawstrings

2 Lower Pockets w/Hook & Loop Closure

(İYA CİRTLİ)

Ankle Drawstrings

PETROBANK GROUP
ARMY TEXTILES



**CAMOUFLAGE
MODELS**



PETROBANK GROUP
ARMY TEXTILES



FERTEL
FOREIGN TRADE LTD COMPANY



FERTEL

FOREIGN TRADE LTD COMPANY



FTF
FERTEL

PETROBANK GROUP
ARMY TEXTILES



FERTEL
FOREIGN TRADE LTD COMPANY

FF
FERTEL



FERTEL
FOREIGN TRADE LTD COMPANY



FERTEL

PETROBANK GROUP

ARMY TEXTILES







**POLICE UNIFORM
DARK BLUE
BLACK COLOR
TC 65/35 210 GSM**



Explanation This camouflage uniform, Fabric TC 35% cotton and 65% polyester is the best composition and thickness for soft and wearresistant Reactive dyes are the best choice for dyeing and printing for military clothing. Our current sample meets all test requirements in the tender document



ATF
FERTEL

PETROBANK GROUP
ARMY TEXTILES

**POLICE UNIFORM DARK BLUE
COLOR TC 65/35 210GSM**

Description

Police uniform is designed for police in consideration of their working environment

and practical needs. The most common fabric used is 65% polyester 35% cotton.

This composition has made the clothes breathable and resistant at the same time. Reactive dyes is the best choice for dyeing and printing so that the color fastness of lighting, washing and rubbing could reach level 4. Multi-pockets, and velcro designed on top jacket and pant have provided multi-funtion and satisfy the police 's practical missions demands.



F F
FERTEL





FERTEL

Foreign Trade
Limited Company



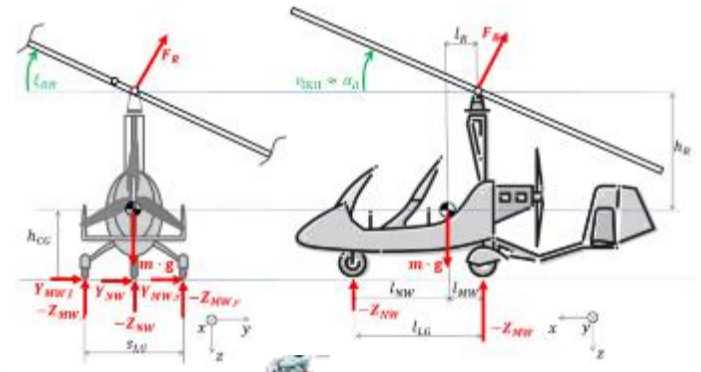


FERTEL

FOREIGN TRADE LTD COMPANY

UN





FERTEL



ATF
FERTEL
PETROBANK GROUP
ARMY TEXTILES





PETROBANK GROUP
ARMY TEXTILES

Product Description

Product Name Woodland Camo

M65 Military Jacket

Material T/C, 100% Cotton, N/C

Weave Plain, Twill, Rip-Stop

Fabric Weight (Yarn Count, Density)

Can be customized

Tensile/Tear Strength EU Standard

Colorfastness EU Standard

Color ANY color available

Size Size can be customized

OEM Service

Design can be customized,
can put customer Logo on the vest



ATF
FERTEL

PETROBANK GROUP
ARMY TEXTILES





Product Description

Product Name

Digital Camouflage Jacket

Model DK-MJ-008

Material T/C, 100% Cotton, N/C

Weave Plain, Twill, Rip-Stop

Fabric Weight (Yarn Count,

Density) Can be customized

Washable/Tear Strength EU Standard

Colorfastness EU Standard

Color ANY color available

Size Size can be customized

OEM Service

Design can be customized,

Customer Logo on the vest





TACTICAL TEXTILE WARE



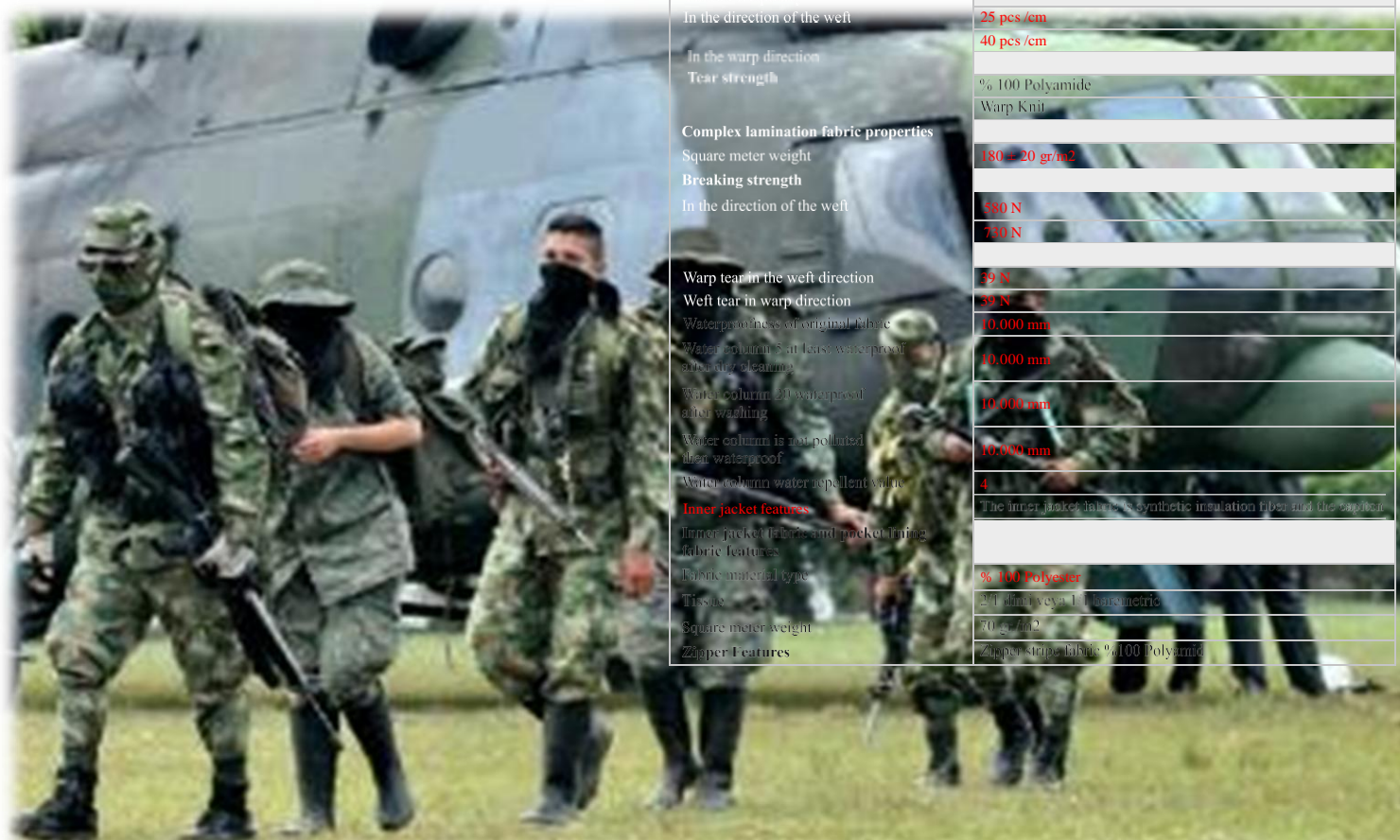
COLD CLIMATE PARK	
Material Properties	Full flame retardant and fire resistant. Increased tear and wear resistance.
Outer fabric properties	
Type of material	%100 Polyester
Textured	1/1
Thread frequency	
In the direction of the weft	25 pcs/cm
In the warp direction	40 pcs/cm
Inner lining properties	
Type of material	
Inner lining finish	
Complex function fabric properties	
Specific water weight	180 ± 20 gr/m2
Breaking strength	
In the direction of the weft	580 N
In the warp direction	730 N
Tear strength	
Warp and in the weft direction	39 N
Warp and in weft direction	39 N
Minimum protection of original fabric	10,000 mm
Water column 5' at least waterproof after dry cleaning	10,000 mm
Water column 10' waterproof after washing	10,000 mm
Water column is not polluted after waterproof	10,000 mm
Water column water repellent value	4
Inner jacket features	There are four pockets inside the outpocket
Inner jacket fabric and pocket lining fabric features	
Fabric material type	% 100 Polyester
Tissue	2.1 4x4 1/2x1/2 1.1 1/2 twill
Specific water weight	70 gr/m2
Zipper Features	Zipper: zipper zipper 100% polyester

Material Properties	Cold climate parka fabric, outer fabric, top layer, Functional intermediate membrane, inner liner lamination.
Outer fabric properties	
Type of material	%100 Polyamide
Textured	1/1
Thread frequency	
In the direction of the weft	25 PCS /cm
In the warp direction	40 PCS /cm
Inner lining properties	
Type of material	% 100 Polyamide
Inner lining tissue	Warp Knit
Complex lamination fabric properties	
Square meter weight	180 ± 20 gr/m2
Breaking strength	
In the direction of the weft	580 N
In the warp direction	730 N
Tear strength	
Warp tear in the weft direction	39 N
Weft tear in warp direction	39 N
Waterproofness of original fabric	10.000 mm
Water column 5 at least waterproof after dry cleaning	10.000 mm
Water column 20 waterproof after washing	10.000 mm
Water column is not polluted then waterproof	10.000 mm
Water column water repellent value	4
Inner jacket features	The inner jacket fabric is synthetic insulation fiber and the capiton
Inner jacket fabric and pocket lining fabric features	
Fabric material type	% 100 Polyester
	2/1 dimi veya 1/1 baremetric
Square meter weight	70 gr./m2
Zipper Features	Zipper stripe fabric %100 Polyamid



FERTEL

FOREIGN TRADE LTD COMPANY



<p>Product description</p> <p>Product name</p> <p>Product code</p> <p>Product category</p> <p>Product material</p> <p>Textured</p> <p>In the direction of the weft</p> <p>In the warp direction</p> <p>Tear strength</p> <p>Complex lamination fabric properties</p> <p>Square meter weight</p> <p>Breaking strength</p> <p>In the direction of the weft</p> <p>Warp tear in the weft direction</p> <p>Weft tear in warp direction</p> <p>Waterproofness of original fabric</p> <p>Water column 8 at least waterproof after dry cleaning</p> <p>Water column 20 waterproof after washing</p> <p>Water column is not polluted after waterproof</p> <p>Water column water repellent value</p> <p>Inner jacket features</p> <p>Inner jacket fabric and pocket lining fabric features</p> <p>Fabric material type</p> <p>Tissue</p> <p>Square meter weight</p> <p>Zipper Features</p>	<p>Cold climate parka fabric, outer fabric, top layer. Functional intermediate membrane, inner liner lamination.</p> <p>%100 Polyamide</p> <p>1/1</p> <p>25 pcs /cm</p> <p>40 pcs /cm</p> <p>% 100 Polyamide</p> <p>Warp Knit</p> <p>180 ± 20 gr/m2</p> <p>380 N</p> <p>730 N</p> <p>39 N</p> <p>39 N</p> <p>10.000 mm</p> <p>10.000 mm</p> <p>10.000 mm</p> <p>10.000 mm</p> <p>4</p> <p>The inner jacket fabric is synthetic insulation fiber and the capliner</p> <p>% 100 Polyester</p> <p>2/1 thin weft 1/1 plain metric</p> <p>70 gr/m2</p> <p>Zipper strap fabric %100 Polyamide</p>
---	---



FERTEL

FOREIGN TRADE LTD COMPANY



Olive army elbow pad

Description

Military Army Tactical Black Elbow & Knee Pad, Military knee pads, tactical knee pads, army knee pads, combat pants with knee, combat knee pads, police knee pads, tactical elbow pads, army knee pads

Specifications

Material Polyester or Nylon or Cordura or Canvas

Yarn Count

Customized

Waterproof PU or PVC Coating

Color Customized

Size Customized

OEM Service Available

TEAM

Smokey Branch BDU Pants feature a reinforced seats & knees, adjustable waist tabs, button fly, drawstring bottoms, and brushed Poly/Cotton Twill fabric.

TAKIM

Smokey Branch BDU Pantolon, güçlendirilmiş koltuklar ve dizler, ayarlanabilir bel şeritleri, düğme uçları, büzme ipli altlar ve fırçalanmış Poly / Cotton Twill kumaştan oluşur.



Product Description

Product Name

Multicam combat elbow pad

Material Polyester or Nylon or Cordura or Canvas

Yarn Count Customized

Waterproof PU or PVC waterproof Coating

Color Any color available

Webbing PP or Polyester or Nylon

Accessories EU Standard or Customized

Size Customized

OEM Service Design can be customized, can put customer Logo on the Ba



ATF
FERTEL

PETROBANK GROUP
ARMY TEXTILES

- 2 JAWLED
- 4 FUSAGE
- 6 COMBAT
- 8 INTELLIGENCE
- 7 CUTTING-EDGE
- 8 LAY
- 8 BY MEAN
- 8 POWERFUL
- 8-10 ADVANCED - GOLF COURSE/STATION

- 16 CUSTOM-ODD - INTERIOR
- 17 CUSTOM-ODD - BODYPAINING
- 18 CUSTOM-ODD - EXT-ODD
- 19 CUSTOM-ODD - ANTI-TANK OPTICS
- 20 PROFESSIONAL-SET
- 21 RESPONSE
- 22 EXTENDED
- 24 COMBAT
- 25 TROOP-COMMAND
- 26 UNIFORM-PROTECT





Product Description

Product Name Multicam army knee pad

Model DK-TK-021

Material Polyester or Nylon or Cordura or Canvas

Yarn Count Customized

Waterproof PU or PVC waterproof Coating

Color Any color available

Webbing PP or Polyester or Nylon

Accessories EU Standard or Customized

Size Customized

OEM Service Design can be customized, can put customer Logo on the Bag

Güçlendirilmiş Koltuk ve Dizler

- Ayarlanabilir Bel Sekmeleri
- 7 Kemer Döngüsü
- İpli Dipleri



FERTEL



TAKTİKAL PANTOLON

YKK MARKA Rahat Fit Fermuarlı

BDU Pantolonu, askeri tarzdaki

BDU Pantolonumuzla aynı rahat,

dayanıklı% 55 pamuk

% 45 polyester malzemeden

yapılmıştır

ancak daha rahat bir uyum için

1 "daha geniş bacak açıklığına

ve düğme fermuarının yerine fermuar

sineğine sahiptir. .

• 1 "Daha Geniş

Bacak Açma ve Fermuar Kapağı

Özelliğine Sahip Rahat Kesim BDU

Pantolon

• Rahat ve Esnek% 55 Pamuk

% 45 Polyester Karışımı Malzemeden

Üretilmiştir• 2 Ön Eğik Çizgi Cepleri

• 2 Düğmeli Aşağı Pileli Körüklü

Bacak Cepleri

• 2 Düğmeli Arka Cep

• Maksimum Dayanıklılık İçin



TAKTİK PANTOLON : YKK Marka Rahat

Fit Fermuarlı BDU Pantolonu, askeri

tarzdaki BDU Pantolonumuzla aynı rahat,

dayanıklı% 55 pamuk % 45 polyester malze-

meden yapılmıştır, ancak daha rahat bir uyum

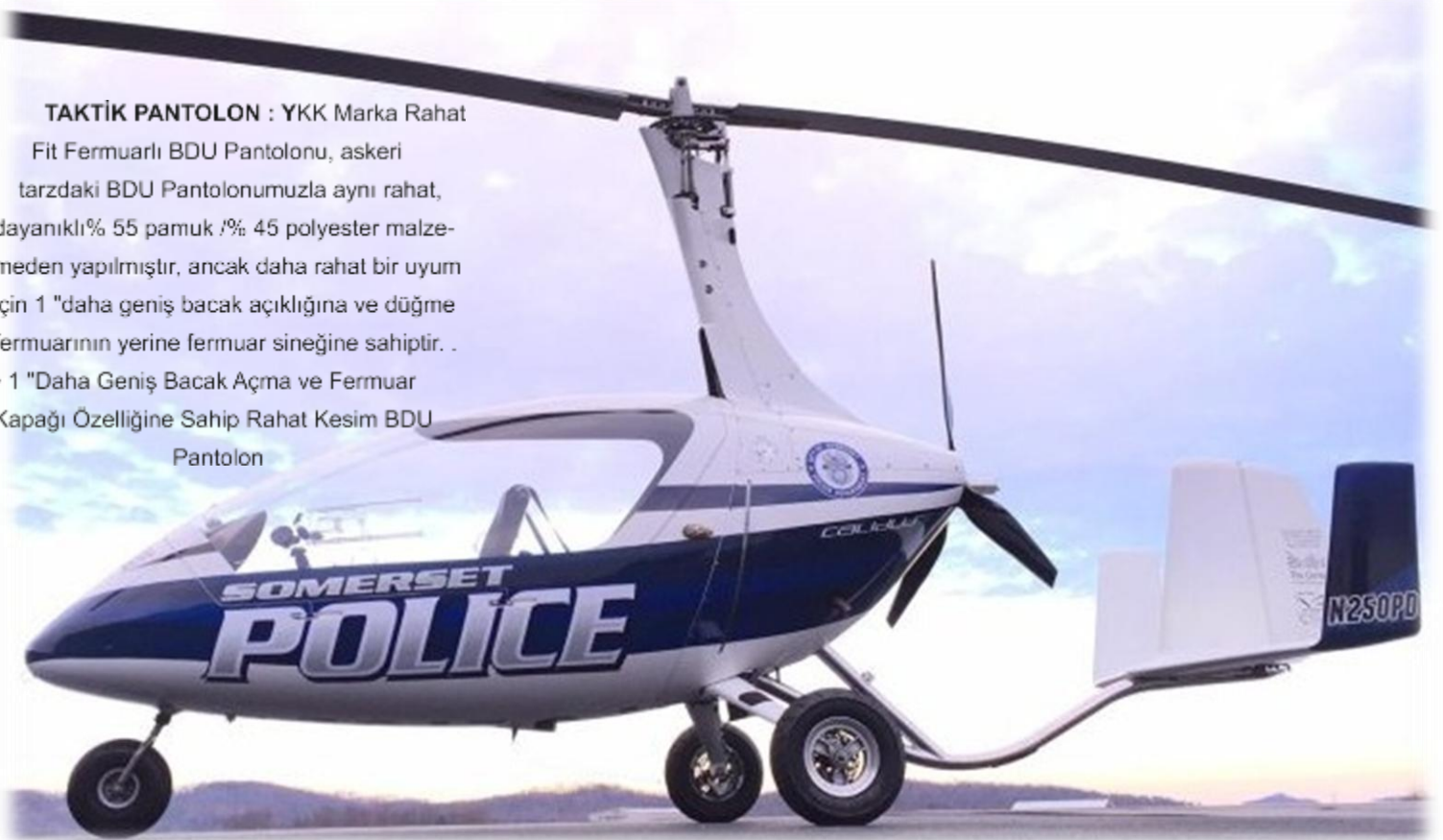
için 1 "daha geniş bacak açıklığına ve düğme

fermuarının yerine fermuar sineğine sahiptir. .

• 1 "Daha Geniş Bacak Açma ve Fermuar

Kapağı Özelliğine Sahip Rahat Kesim BDU

Pantolon



PETROBANK GROUP

ARMY TEXTILES

- Rahat ve Esnek% 55 Pamuk
- % 45 Polyester
- Karışımı Malzemeden
- Üretilmiştir
- 2 Ön Eğik Çizgi
- Cepleri
- 2 Düğmeli Aşağı Pileli
- Körüklü Bacak Cepleri
- 2 Düğmeli Arka Cep
- Maksimum Dayanıklılık İçin Güçlendirilmiş
- Koltuk ve Dizler
- Ayarlanabilir Bel
- Sekmeleri
- 7 Kemer Döngüsü
- İpli Dipleri



FTEL

PETROBANK GROUP

ARMY TEXTILES



TACTICAL PANTS - YKK brand Comfortable Fit Zippered BDU Trousers are made from the same comfortable, durable 55% cotton / 45% polyester material as our military style Trousers, but with a 1 " wider leg opening and a zipper fly instead of the button zipper for a more comfortable fit. Comfortable Fit BDU Trousers with 1 "Wider Leg Opening and Zipper Closure. Made of Comfortable and Flexible 55% Cotton / 45% Polyester Blend Material 2 Front Slash Pockets 2-Button Pleated Down Bellows Leg Pockets 2-Button Back Pocket Reinforced Seat and Knees for Maximum Durability Adjustable Waist T abs 7 Belt Loops String Bottoms

TACTICAL PANTS -

YKK Fit Zipper BDU Pants are made of the same comfortable, durable 55% cotton / 45% olyester material as our military style BDU Pants but feature a 1" wider leg opening for a more relaxed fit and a zipper fly instead of a button fly. •Relaxed Fit BDU Pants With 1" Wider Leg Opening And Zipper Fly Feature

- Made With A Comfortable And Resilient 55% Cotton 45% Polyester Blend Material
- 2 Front Slash Pockets
- 2 Button Down Pleated Bellows Leg Pockets
- 2 Button Down Back Pockets
- Reinforced Seat And Knees For Maximum Durability
- Adjustable Waist Tabs
- 7 Belt Loops

FERTEL
FOREIGN TRADE LTD COMPANY



PANTOLON - 2Rothco'nun Rahat Fit Fermuarlı BDU Pantolonu, askeri tarzdaki BDU Pantolonumuzla aynı rahat, dayanıklı% 55 pamuk % 45 polyester malzemeden yapılmıştır, ancak daha rahat bir uyum için 1" daha geniş bacak açıklığına ve düğme fermuarının yerine fermuar sineğine sahiptir. .

- 1" Daha Geniş Bacak Açma ve Fermuar Kapağı Özelliğine Sahip Rahat Kesim BDU Pantolon



- Rahat ve Esnek % 55 Pamuk % 45 Polyester Karışımı Malzemeden Üretilmiştir
- 2 Ön Eğik Çizgi Cepleri
- 2 Düğmeli Aşağı Pileli Körüklü Bacak Cepleri
- 2 Düğmeli Arka Cep
- Maksimum Dayanıklılık İçin Güçlendirilmiş Koltuk ve Dizler
- Ayarlanabilir Bel Sekmeleri
- 7 Kemer Döngüsü
- İpli Dipleri





Taktik Pantolonu

Ultraviyole kamufraj, kırmızı kamufraj ve gök mavisi kamufraj gibi çeşitli kamufraj desenlerine sahip Rothco'nun Renkli Kamufraj Taktik BDU (Savaş Elbisesi Üniforması) Pantolonunda öne çıkan.

Kamufraj BDU Pantolonları

% 55 Pamuk

% 45 Polyester Uzun Ömürlü

Malzemeyle Aşınmaya ve Yıpranmaya Dayanacak Şekilde Üretilmiştir

• Savaşta Test Edilmiş Güçlendirilmiş

Koltuk ve Dizler Eşsiz Esneklik Sağlar

• ABD Ordusunun Standart Sayı Savaş

Kıyafeti Kıyafeti (BDU) Modeline Göre

Modellenmiştir

• İki Ön Eğik Çizgi Cepleri

• İki Büyük Düğmeli Aşağı Pileli Körüklü

Kargo Cebi • İki Düğme Aşağı Arka Cep

• Klasik Askeri Düğme Fly • Mükemmel

Uyum İçin Ayarlanabilir Bel Sekmeleri

• Kamufrajlı Pantolonu Bileğinizin Etrafında

veya Bluzunuzu Çizmenizde Cinch Etmek

İçin İpli Ayak Bileği Bağları

• Çift Dikişli Dikiş Yapısı

• Çeşitli Renkli Kamufraj Desenleri Sunar



TACTICAL PANTS

Digital Camouflage Tactical BDU Pants are designed for long-lasting wear.

• Digital Camouflage Tactical BDU Pants

• Designed For Long-Lasting Wear With Reinforced Seat And Knees

• Constructed From A Comfortable Poly/ Cotton Twill

• 6 Pockets Total: 2 Button Down Back Pockets, 2 Front Slash Pockets

And 2 Cargo Pockets

• Features An Adjustable Waist Tab For Secure Fit

• Button Fly

• Drawstring Bottoms



PETROBANK GROUP
ARMY TEXTILES

Dijital Kamufraj Taktik BDU Pantolonu.

uzun süreli kullanım için tasarlanmıştır. • Dijital Kamufraj Taktik BDU Pantolonu • Güçlendirilmiş Oturak ve Dizlerle Uzun Ömürlü Kullanım İçin Tasarlandı • Rahat Poli / Pamuklu Dini Kumaştan Yapılmıştır • Toplam 6 Cep: 2 Dügme Aşağı Arka Cep, 2 Ön Kesik Cep ve 2 Kargo Cep • Güvenli Uyum için Ayarlanabilir Bel Sekmesi Özellikleri • Dügme Fly • İpli Dipleri

Stand out in Rothco's Color Camo Tactical BDU (Battle Dress Uniform) Pants, which are available in a variety of camouflage patterns including ultraviolet camo, red camo, and sky blue camo.

- Camo BDU Pants Are Built To Withstand Wear And Tear With Long-Lasting 55% Cotton / 45% Polyester Material
- Combat-Tested Reinforced Seat And Knees Provide Unparalleled Resiliency
- Modeled After The U.S. Military's Standard Issue Battle Dress Uniform (BDU)
- Two Front Slash Pockets
- Two Large Button Down Pleated Bellow Cargo Pockets
- Two Button Down Back Pockets
- Classic Military Button Fly
- Adjustable Waist Tabs For The Perfect Fit
- Drawstring Ankle Ties To Cinch The Camo Pants Around Your Ankle Or Blouse Over Your Boot
- Double Stitched Seam Construction
- Offering A Variety Of Color Camouflage Patterns



Ultraviyole kamufraj, kırmızı kamufraj ve gök mavisi kamufraj gibi çeşitli kamufraj desenlerine sahip Rothco'nun Renkli Kamufraj Taktik BDU (Savaş Elbisesi Üniforması) Pantolonunda öne çıkın. • Kamufraj BDU Pantolonları% 55 Pamuk /% 45 Polyester Uzun Ömürlü Malzemeyle Aşınmaya ve Yıpranmaya Dayanacak Şekilde Üretilmiştir • Savaşta Test Edilmiş Güçlendirilmiş Kolluk ve Dizler Eşsiz Esneklik Sağlar • ABD Ordusunun Standart Sayı Savaş Kıyafeti Kıyafeti (BDU) Modeline Göre Modellenmiştir • İki Ön Eğik Çizgi Cepleri • İki Büyük Dügmeli Aşağı Pileli Korumalı Kargo Cebi • İki Dügme Aşağı Arka Cep • Klasik Askeri Dügme Fly Mükemmel Uyum İçin Ayarlanabilir Bel Sekmeleri • Kamufrajlı Pantolonu Bileğinizin Etrafında veya Bluzunuzu Çizmenizde Cinch Etmek İçin İpli Ayak Bileği Bağları • Çift Dikişli Dikiş Yapısı • Çeşitli Renkli Kamufraj Desenleri Sunar



F
F
FERTEL



TACTICAL PANTS-

YKK Army Combat Uniform Camo Pants are constructed with a cotton poly rip stop fabric for added strength and durability. The army uniform pants are made to near-military specifications (Mil-Spec).

- The Camo Uniform Pants Are Made To Near-Military Specifications (Mil-Spec)
- Reinforced Seat And Knees For Long Lasting Durability
- 2 Lower Pant Pockets With Secure Hook And Loop Closure
- 2 Cargo Pockets With Tilted Flap And Hook And Loop Closure
- 2 Front Slash Pockets



Design of aircraft optimized for maintainability

Short take-off performance: prerotation up to 300 rpm



TAKTİK PANTOLON

Rothco'nun Ordu Savaş Üniforması Kamuflaj Pantolonu, ilave güç ve dayanıklılık için pamuklu bir poli yırtılmaz kumaştan yapılmıştır.

Ordu üniforması pantolonu, askeri şartnamelere (Mil-Spec) göre yapılmıştır

• Kamuflajlı Üniforma Pantolon Askeriye Yakın Özelliklere Göre Yapılmıştır (Mil-Spec)

- Uzun Ömürlü Dayanıklılık İçin Güçlendirilmiş Koltuk ve Dizler
- Güvenli Kanca ve Döngü Kapamalı 2 Alt Pantolon Cebi
- Eğimli Kapaklı, Kanca ve Halka Kapamalı 2 Kargo Cebi
- 2 Ön Eğik Çizgi Cepleri

PANTS

Stand out in Realistic Color Camo Tactical BDU (Battle Dress Uniform) Pants, which are available in a variety of camouflage patterns including ultraviolet, camo, red camo, and sky blue camo. Camo BDU Pants Are Built To Withstand Wear And Tear With Long-Lasting 66% Cotton / 40% Polyester Material

- Combat-Tested Reinforced Seat And Knees Provide Unparalleled Resiliency
- Modeled After The U.S. Military's Standard Issue Battle Dress Uniform (BDU)
- Two Front Slash Pockets
- Two Large Rubber Down Pleated Gaiter Cargo Pockets
- Two Button Down Back Pockets
- Crisp Military Button Fly
- Adjustable Waist Tabs For The Perfect Fit
- Drawing Ankle Ties To Cinch The Camo Pants Around Your Ankle Or Bounce Over Your Boot
- Double Stitched Seam Construction
- Offering A Variety Of Color Camouflage Patterns



ATF
FERTEL
PETROBANK GROUP
ARMY TEXTILES

ŞORT

Kargo Cep şort , süper yumuşak ancak dayanıklı, yıkanmış pamuk / polyester dimi karışımı kumaş , cep adeti altı , fermuar veya düğme seçeneği olabilir .

GYROJürk



Bedenler S - 4XL boyutlarında,
düz ve kamuflaj
renklerde imal edilebilir .

PANTOLON: İki-lye kamuflaj, kırmızı kamuflaj ve çok mavimsi kamuflaj gibi çeşitli kamuflaj desenlerine sahip Realistic Rantli Kamuflaj

- Taktik BDU (Savaş Elbisesi Uniforması) Pantolonunda Öne Çıkan
- Kamuflaj
- BDU Pantolonları % 55 Pamuk % 45 Polyester Uzun Ömürlü Malzemeyle
- Aşınmaya ve Yıpranmaya Dayanacak Şekilde Üretilmiştir
- Savaşta Test Edilmiş Güçlendirilmiş Koltuk ve Dizler Esnek Esneklik Bağları
- ABD Ordusunun Elancart Sırtı Savaş Kıyafeti Kıyafeti (BDU)
- Modeline Göre Modellenmiştir
- İki Ön Eğik Çizgi
- Çapları İki Büyük Dağme İki Ayaklı Pnöli Kuvvetli Kargo Çantası İki Dağme Aşağı Aşağı Çaplı Kuvvetli Aşağı Dağme
- FlyMükemmel Uyum İçin Ayarlanabilir Bel Sakmaları
- Kamuflaj Pantolonu
- Bileğinizin Etrefinde veya Buzunuzu Çizmenizde Cinch Etmek İçin İpli Ayak Bileği Bağları
- Çift Dikişli Dikiş Yapısı
- Çeşitli Renkli Kamuflaj
- Desenleri Sunar





TACTICAL PANTS -

YKK Stand out in Rothco's Color Camo Tactical BDU (Battle Dress Uniform) Pants, which are available in a variety

of camouflage patterns including ultraviolet camo, red camo, and sky blue camo.

•Camo BDU Pants Are Built To Withstand Wear And Tear With Long-Lasting 65% Cotton / 45% Polyester Material

•Combat-Tested Reinforced Seat And Knees Provide Unparalleled Resiliency

•Modeled After The U.S. Military's Standard Issue

Battle Dress Uniform (BDU)

•Two Front Slash Pockets

•Two Large Button Down Pleated

Bellow Cargo Pockets

•Two Button Down Back Pockets

•Classic Military Button Fly

•Adjustable Waist Tabs For The Perfect Fit

•Drawstring Ankle Ties To Cinch The Camo Pants Around Your Ankle Or Blouse Over Your Boot.

•Double Stitched Seam Construction

•Offering A Variety Of

Color Camouflage Patterns



ŞORT :

Classic military BDU shorts in camouflage are the perfect combination of form and function and are available in several different camo patterns.

•Camo BDU Shorts Are Made Of A Comfortable And Durable 55% Cotton / 45% Polyester Material

•Two Rear Button Down Pockets With Two Large Side Cargo Pockets

•Two Front Slash Pockets

•Button Fly With Adjustable Pull Tabs On Waist

ŞORT:

Rothco'nun kamufajlı klasik askeri BDU şortları,

biçim ve işlevin mükemmel birleşimidir ve birkaç farklı kamufaj deseninde mevcuttur. •Kamufaj BDU Şortları Rahat ve Dayanıklı • 55 Pamuk / % 45

Polyester Malzemeden Üretilmiştir • İki Büyük Yan Kargo Cepli İki Arka

Düğmeli Aşağı Cep • İki Ön Eğik Çizgi Cepleri • Belde Ayarlanabilir

Çekme Tırnaklı Düğme Fly



ŞORT :

Kamufajlı klasik askeri şortlar, biçim ve işlevin mükemmel birleşimidir ve birkaç farklı kamufaj deseninde mevcuttur.

• Kamufaj Şortlar Rahat ve Dayanıklı • % 55 Pamuk

ŞORT

Rothco's classic military BDU shorts in camouflage are

the perfect combination of form and function and are available in several different camo patterns.

•Camo BDU Shorts Are Made Of A Comfortable And Durable 55% Cotton / 45% Polyester Material

•Two Rear Button Down Pockets With Two Large Side Cargo Pockets

•Two Front Slash Pockets

•Button Fly With Adjustable Pull Tabs On Waist



PETROBANK GROUP

ARMY TEXTILES



Short :

Army gold print located on the left leg of the PT Short is faded but with the same great features as our original Army Physical Training Short. Limited quantities, available in sizes XS 3XL. •Army Gold Lettering On Shorts Features A Slightly Faded Print •Designed After The New APFU (Army Physical Fitness Uniform) Optional Wear Regulations •Outer Shell Is Constructed Of 100% Polyester For Durability And Side Panels Featuring A Poly/Spandex Blend For Added Stretch And Movement •For Added Comfort Rothco's Athletic Shorts Are Equipped With A Drawstring And Elastic Waist For An Ideal Fit •Boxer Style Inner Liner •The PT Shorts Also Features A Hidden Waist Pocket Near The Left Leg •Pair The Shorts With Our Matching Army PT Shirts

ATF
FERTEL

PETROBANK GROUP
ARMY TEXTILES

PETROBANK GROUP
ARMY TEXTILES



Classic military BDU shorts in camouflage are the perfect combination of form and function and are available in several different camo patterns.

- Camo BDU Shorts Are Made Of A Comfortable And Durable 55% Cotton / 45% Polyester Material
- Two Rear Button Down Pockets With Two Large Side Cargo Pockets
- Two Front Slash Pockets
- Button Fly With Adjustable Pull Tabs On Waist

ŞORT : Şortun sol ayağınca bulunan ordu altın baskısı soluk ancak

orijinal Army Physical Training Şortumuzla aynı hanki dzeliklere sahip. Sınırlı miktarda, XS - 3XL boyutlarında mevcuttur. •Şorta Ordu Altın Yazısı •Hafifçe Soluk Baskı •Yeni APFU (Ordu Fiziksel Fitness Üniforması) İsteğe Bağlı •Giyme Yönelimlerinden Sonra Tasarlandı •Dış Kabuk Dayanıklılık İçin% 100 Polyesterden Yapılmıştır ve Ek Enerjiye Ne Hareket İçin Poli / Spandex Karşımı İçeren Yan Panelleri Dahil •Fazla Konfor İçin Rothco'nun Atletik Şortu, İdeal Uyum İçin BÇZGİD ve Elastik Bel ile Donatılmıştır •Boxer Stili İçerir •PT Şortunda Sol Bacagın Yarısında Gizli Bir Bel Cebi Bulunmaktadır •Şortları Eşleşen Ordu PT Gömleklerimizle Eşleştirin



short:

Classic military BDU shorts in camouflage are the perfect combination of form and function and are available in several different camo patterns. •Camo BDU Shorts Are Made Of A Comfortable And Durable 55% Cotton / 45% Polyester Material •Two Rear Button Down Pockets With Two Large Side Cargo Pockets •Two Front Slash Pockets •Button Fly With Adjustable Pull Tabs On Waist



Ürün Açıklaması Ürün Adı Camo Dokuma BDU Kayışı Model Malzeme PP veya Polyester veya Naylon İplik Sayısı Özelleştirildi Genişlik Normalde 2-6 cm, özelleştirilebilir Kalınlık Özelleştirilmiş Uzunluk Müşterinin ihtiyacına göre Toka Çelik veya Plastik yapılabilir . Boyut Özelleştirilmiş OEM Hizmeti Müşterilerin logosunu kayışa koyabilir



Buckle Steel or Plastic, can copy customers buckle

Size Customized

OEM Service Can put customers logo on the belt



Product Description
Product Name
Camo Webbing BDU Belt
Material PP or Polyester or Nylon
Yarn Count Customized
Width Normally 2-6 cm, can be customized
Thickness Customized
Length According to customers requirement



Ürün Açıklaması Ürün Adı Camo Dokuma BDU Kayışı Model Malzeme PP veya Polyester veya Naylon İplik Sayısı Özelleştirildi Genişlik Normalde 2-6 cm, özelleştirilebilir Kalınlık Özelleştirilmiş Uzunluk Müşterinin ihtiyacına göre Toka Çelik veya Plastik, müşterilerin tokasını kopyalayabilir Boyut Özelleştirilmiş OEM Hizmeti Müşterilerin logosunu kayışa koyabilir

PETROBANK GROUP
ARMY TEXTILES

Product Description

Product Name

Army Green Polyester Webbing Belt

Material PP or Polyester or Nylon

Yarn Count Customized

Width Normally 2-6 cm, can be customized

Thickness Customized

Length According to customers requirement

Buckle Steel or Plastic, can copy customers buckle

Size Customized

OEM Service Can put customers logo on the belt



Ürün Açıklaması

Ürün Adı Ordu Yeşili Polyester

Dokuma Kemer Model DK-TB-006 Malzeme PP

veya Polyester veya Naylon İplik Sayısı

Özelleştirildi Genişlik Normalde 2-6 cm,

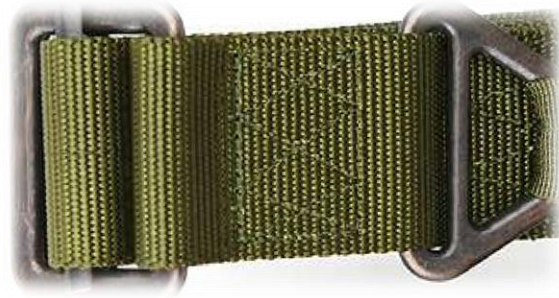
özelleştirilebilir Kalınlık Özelleştirilmiş Uzunluk

Müşterinin ihtiyacına göre Toka Çelik veya

Plastik, müşterilerin tokasını kopyalayabilir

Boyut Özelleştirilmiş OEM Hizmeti

Müşterilerin logosunu kayışa koyabilir



Ürün Açıklaması Ürün Adı Camo Dokuma BDU Kayışı Model Malzeme PP

veya Polyester veya Naylon İplik Sayısı Özelleştirildi Genişlik Normalde 2-6 cm,

özelleştirilebilir Kalınlık Özelleştirilmiş Uzunluk

Müşterinin ihtiyacına göre Toka

Çelik veya Plastik, müşterilerin

tokasını kopyalayabilir Boyut

Özelleştirilmiş OEM

Hizmeti Müşterilerin

logosunu

kayışa koyabilir



Product Description

Product Name

Camo Webbing BDU Belt

Material PP or Polyester or Nylon

Yarn Count Customized

Width Normally 2-6 cm, can be customized

Thickness Customized

Length According to customers requirement



TF
FERTEL

PETROBANK GROUP
ARMY TEXTILES

Buckle Steel or Plastic, can copy customers buckle

Size Customized

OEM Service Can put customers logo on the belt



Ürün Açıklaması
Ürün adı
Askeri üniforma
Malzeme
T / C, 100% pamuk,
N / C Örgü Düz
Dimi,
Rip-Stop Kumaş
Ağırlığı
(İplik Sayısı,
Yoğunluğu)
Özelleştirilebilir
Çekme / Yırtılma Güç
AB Standardı
Renk haslığı
AB Standard
HERHANGİ Ren
renk mevcut Boyu
Boyut
Özelleştirilebilir
OEM Hizmeti
Tasarım olabilir
özelleştirilebilir,
koyabilir
müşteri logosu
yelek üzerinde



Ürün Açıklaması

Ürün Adı
Askeri Ordu Taktik
Kemer Malzeme PP veya
Polyester veya Naylon İplik
Sayısı Özelleştirildi Genişlik
Normalde
2-6 cm, özelleştirilebilir
Kalınlık Özelleştirilmiş Uzunluk
Müşterinin ihtiyacına göre Toka
Çelik veya Plastik, müşterilerin
tokasını kopyalayabilir Boyut
Özelleştirilmiş OEM Hizmeti
Müşterilerin logosunu kayışa
koyabilir

Product Description

Product Name

Model DK-TB-018

Material PP or Polyester or Nylon

Yarn Count Customized

Width Normally 2-6 cm, can be customized

Thickness Customized

Length According to customers requirement

Buckle Steel or Plastic, can copy customers buckle



Can be customized
Tensile/Tear
Strength EU Standard
Colorfastness
EU Standard
Color ANY
color available
Size Size
can be customized
OEM Service
Design can be
customized,
can put
customer Logo
on the vest



PETROBANK GROUP
ARMY TEXTILES

Product Description

Product Name

Military Army Tactical Belt

Material PP or Polyester or Nylon

Yarn Count Customized

Width Normally 2-6 cm, can be customized

Thickness Customized

Length According to customers requirement

Buckle Steel or Plastic, can copy customers buckle

Size Customized

OEM Service Can put customers logo on the belt



Product Description

Product Name

Military uniforms

Material T/C,
100% Cotton,
N/C

Weave Plain,

Twill, Rip-Stop

Fabric Weight

(Yarn Count, Density)

Ürün Açıklaması Ürün adı Ordu kemeri Malzeme

PP veya Polyester veya Naylon İplik Sayısı Özelleştirilmiş Genişlik Normalde 2-6 cm, özelleştirilebilir Kalınlık Özelleştirilebilir Uzunluk Müşterilerin ihtiyacına göre Toka Çelik veya Plastik, müşterilerin tokasını kopyalayabilir Boyut Özelleştirilmiş OEM Hizmeti Müşterilerin logosunu kemer üzerine koyabilir



Product Description

Product Name	Police outfit
Model	SNK .005
Material	T/C, 100% Cotton, N/C
Weave	Plain, Twill, Rip-Stop
Tensile/Tear Strength	EU Standard
Colorfastness	EU Standard
Color	ANY color available
Size	Size can be customized
OEM Service	Design can be customized, can put customer Logo on the vest
Fabric Weight (Yarn Count, Density)	Can be customized

Ürün Açıklaması

Ürün adı Askeri yardımcı kemer malzeme PP veya Polyester veya Naylon İplik Sayısı Özelleştirildi Genişlik Normalde 2-6 cm, özelleştirilebilir Kalınlık Özelleştirilmiş Uzunluk Müşterinin ihtiyacına göre Toka Çelik veya Plastik, müşterilerin tokasını kopyalayabilir Boyut Özelleştirilmiş OEM Hizmeti Müşterilerin logosunu kayışa koyabilir



Product Description

Product Name

Army belt Material PP or Polyester or Nylon

Yarn Count Customized Width Normally 2-6 cm, can be customized Thickness Customized

Length According to customers requirement Buckle Steel or Plastic, can copy customers buckle

Size Customized OEM Service Can put customers logo on the belt

Product Description

Product Name	Police outfit
Model	SNK :005
Material	T/C, 100% Cotton, N/C
Weave	Plain, Twill, Rip-Stop
Tensile/Tear Strength	EU Standard
Colorfastness	EU Standard
Color	ANY color available
Size	Size can be customized
OEM Service	Design can be customized, can put customer Logo on the vest
Fabric Weight (Yarn Count, Density) Can be customized	

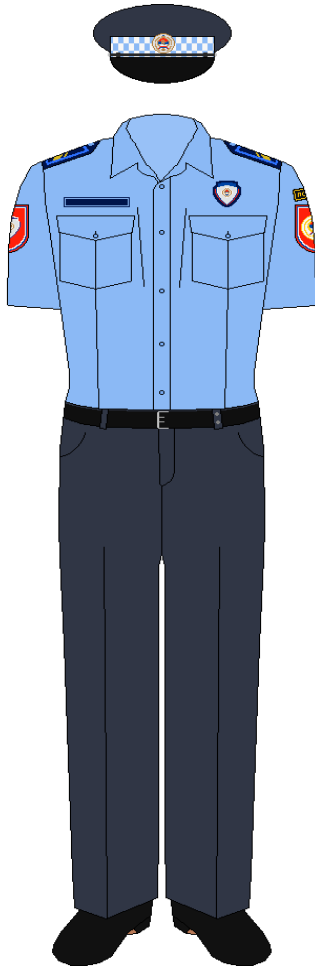
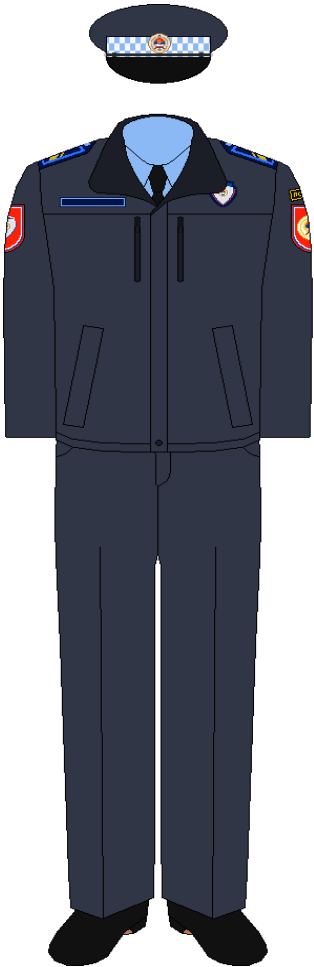


PETROBANK GROUP

ARMY TEXTILES



petrobank
PETROBANK PETROL & MEDİKAL İTH. İHR. SAN. VE TİCARET LTD ŞTİ



"%100 MÜŞTERİ MEMNUNİYETİ"



"PROFESYONEL HİZMET"



"ÜSTÜN KALİTE"



"GÜÇLÜ ALTYAPU"







Product Description

Product Name Shiny Black swat shield

Model : SNK-006

Bulletproof Material Dupont Kevlar or UHMWPE

Bulletproof Level NIJ IIIA

Bulletproof Area 0.3-0.45 m2(customized)

Color Any color available

Weight About 3 kg

Outcover material Polyester or Nylon or Cordura

Size One size fits most, size can be customized

OEM Service Design can be customized, can put customer Logo on the vest



Ürün Açıklaması

Ürün Adı	Kurşun Geçirmez Yelek
Model	DK-BPV-001
Kurşun Geçirmez Malzeme	Dupont Kevlar or UHMWPE
Kurşun Geçirmez Seviye	NIJ IIIA
Kurşun Geçirmez Alan	0.6-0.8 m2(Özelleştirilmiş)
Renkler	Her renk seçeneği
Ağırlık	yaklaşık 6 kg
Dış Kaplama malzemesi	Polyester ,Naylon veya Cordura
Bedenler	Her türlü beden çalışması yapılabilir.
Logo	Müşteri logosu istenilen yere uygulama yapılabilir.



Product Description

Product Name	Bulletproof Vest
Model	DK-BPV-001
Bulletproof Material	Dupont Kevlar or UHMWPE
Bulletproof Level	NIJ IIIA
Bulletproof Area	0.6-0.8 m2(customized)
Color	Any color available
Weight	About 6 kg
Outcover material	Polyester or Nylon or Cordura
Size	One size fits most, size can be customized
OEM Service	Design can be customized, can put c



Ürün Açıklaması

Ürün Adı	Gizlenebilir Kurşun Geçirmez Yelek
Model	DK-BPV-007
Kurşun Geçirmez Malzeme	Dupont Kevlar or UHMWPE
Kurşun Geçirmez Seviye	NIJ IIIA
Kurşun Geçirmez Alan	0.3-0.45 m2(Özelleştirilmiş)
Renkler	Her renk seçeneği
Ağırlık	yaklaşık 3 kg
Dış Kaplama malzemesi	Polyester ,Naylon veya Cordura
Bedenler	Her türlü beden çalışması yapılabilir.
Logo	Müşteri logosu istenilen yere uygulama yapılabilir.



Product Description

Product Name	Bulletproof Vest
Model	DK-BPV-001
Bulletproof Material	Dupont Kevlar or UHMWPE
Bulletproof Level	NIJ IIIA
Bulletproof Area	0.6-0.8 m2(customized)
Color Any color	available
Weight	About 6 kg Polyester or Nylon or Cordura



Product Description

Product Name	Concealable Bulletproof Vest
Model	DK-BPV-007
Bulletproof Material	Dupont Kevlar or UHMWPE
Bulletproof Level	NIJ IIIA
Bulletproof Area	0.3-0.45 m2(customized)
Color Any color	Any color available
Weight	About 3 kg
Outcover material	Polyester or Nylon or Cordura
Size	One size fits most, size can be customized
OEM Service	Design can be customized, can put customer Logo on the vest



TACTICAL VEST-SYNCHRONO Plate

Carrier Vest is a rugged yet lightweight MOLLE (Modular Light Load Carry Equipment) compatible tactical vest designed to provide ballistic protection with four plate armor pocket inserts (armor plates not included)

- Inner Plate Pockets on Front and Back of MOLLE Vest with Inner Plate Area are Designed to Fit Soft or Hard Plate Armor for Ballistic Protection.
- Front Pocket Dimensions: 13 5/8 Inch X 11 1/8 Inch X 1 Inch | Back Pocket Dimensions: 12 Inch X 11 1/8 Inch X 1 Inch
- Plate Carrier Vest Fits Medium or Large Swimmer / SAPI / ESAPI Plates up to 10.25 Inch X 13.25 Inch
- Removable Hook and Loop Strap and Quick Release Buckle Straps Fully Adjustable to Help You Find the Perfect Fit
- Side Armor Plate Pockets Up to 6 Inch X 7 Inch On Belt Fitting Plates
- MOLLE (Modular Light Load Carrying Equipment) Woven MOLLE Allows You to Mount Bags, Holsters And Other MOLLE Attachments On The Military Vest
- Upper MOLLE Webbing on Front and Back of Tactical Vest with Loop Area for Attaching Patches, Twig Straps and Other Hook Accessories
- Adjustable Padded Shoulder Straps with Hook Areas on the Bottom and Quick Release Buckles for Quick Release
- Heavy Material Composition for Optimum Durability Without Compromising Mobility (See Properties Tab for Material Composition)
- Breathable padded mesh interior for a comfortable fit
- Rear Emergency Drag Handle
- Soft and Plate Armor Not Included

Product Description
Product Name
White
Concealable
Vest
Model SNK-007
Bulletproof Material
Dupont Kevlar or
UHMWPE
Bulletproof Level
NIJ IIIA
Bulletproof Area
0.3-0.45 m²
(customized)
Color Any color
available
Weight About 3 kg
Outcover material
Polyester or Nylon or
Cordura
Size One size fits most,
size can be customized



TACTICAL TEXTILE WARE



Product Description

Product Name
Jungle Bulletproof Jacket
Model SNK - 010
Bulletproof Material Dupont
Kevlar or UHMWPE
Bulletproof Level NIJ IIIA
Bulletproof Area 0.45-0.6 m²
(customized)
Color Any color available
Weight About 4.5 kg
Outcover material Polyester
Nylon or Cordura
Size One size fits most, size
can be customized
OEM Service Design can be
customized, can put customer Logo on the vest



Fabric composition:
100% Nylon oxford
Weight: 1050
Danier Nylon
Colour: Khaki
Package:
12pcs per carton,
57*56*50cm
The military tactical
vest is used mainly
by the US army in the
Middle East battlefield.
The main fabric is
1050D nylon oxford
fabric with PU coating
for waterproof and
enforcement function.
The vest is with



Description

Fabric composition: 100% Nylon oxford
Weight: 1050 Danier Nylon
Colour: Khaki
Package: 12pcs per carton,
57*56*50cm
The military tactical vest is used
mainly by the US
army in the
Middle East battlefield.



TACTICAL TEXTILE WARE

Kumaş bileşimi: % 100 Naylon

xford Ağırlık: 1050 Danier
Nylon Renk: Haki Paket: karton
başına 12 adet, 57 * 56 *
50cm Askeri taktik yelek,
ağırlıklı olarak ABD ordusu
tarafından Orta Doğu savaş
alanında kullanılıyor. Ana kumaş,
su geçirmezlik ve uygulama
işlevi için PU kaplamalı 1050D
naylon oxford kumaştır. Yelek
, dergi poşetleri, alet çantaları
ve ilk yardım çantası çantalıdır.

Hızlı serbest bırakma işlevi,
askerlere hızlı kalkış ve
ağırlık azaltma çözümü
sunar. Çok işlevli tasarımı
nedeniyle, birçok ülkenin
ordusu şimdilik kullanıyor



magazines pouches
tool bags and first
aid kit bag. The fast
release function offers
soldiers quick taking
off and weight-reducing
solution
Due to its multifunctional
design, many countries'
armies are using it for now



Product Description
Product Name Multicam
Vest with MOLLE System
Model SNK-011
Bulletproof Material Dupont
Kevlar or UHMWPE
Bulletproof Level NIJ IIIA
Bulletproof Area 0.3-0.45 m²(customized)
Color Any color available
Weight About 3 kg
Outcover material Polyester or Nylon or Cordura
Size One size fits most, size can be customized



PETROBANK GROUP

ARMY TEXTILES



FERTEL

FOREIGN TRADE LTD COMPANY

Product Name

Men wool long-sleeve pullover
Material Poly/Wool, 100% Wool, T/R
WeavePlain, Twill
Fabric Weight(Yarn Count, Density)
Can be customized
Tensile/Tear StrengthEU Standard
ColorfastnessEU Standard
ColorANY color available
Size Size can be customized
OEM Service
Design can be customized,
can put customer
Logo on the uniform



Product Description

Product Name
Military camouflage army pullover
Model SKN-012
Material Poly/Wool,
100% Wool, T/R
WeavePlain, Twill
Fabric Weight
(Yarn Count, Density)
Can be customized
Tensile/Tear Strength
EU Standard
Colorfastness
EU Standard
Color
ANY color available
Size
can be customized
OEM Service
Design can be
customized,
can put
customer Logo on
the uniform



FERTEL
FOREIGN TRADE LTD COMPANY

Count, Density)
Can be customized
Tensile/Tear Strength EU
Standard
ColorfastnessEU
Standard
ColorANY color available
Size Size can be
customized OEM Service
Design can be customized,
can put customer Logo on the uniform

Product Description

Product Name : Military olive army Pullover
Model SKN-014
Material Poly/Wool, 100% Wool, T/R WeavePlain, Twill Fabric Weight
(Yarn Count, Density) Can be customized Tensile/Tear StrengthEU Standard Colorfastness
EU Standard ColorANY color available Size Size can be customized OEM Service Design can be
customized, can put customer Logo on the uniform



Product Description

Product Name
Police & military
officer uniform
Model SNK-015
Material Poly:Wool,
100% Wool, T/R
WeavePlain, Twill
Fabric Weight(Yarn



Product Description

Product Name Military
green pullover
Model SNK-013
Material Poly/Wool, 1
00% Wool, T/R
WeavePlain, Twill
Fabric Weight(Yarn
Count, Density)
Can be customized
Tensile/Tear Strength
EU Standard
Colorfastness
EU Standard
ColorANY color available
Size Size can be customized
OEM Service

Design can be customized, can put customer Logo on the uniform

Product Description

Product Name

Grey police t shirt with pocket

Model SNK-016

Material Poly/Wool,

100% Wool, T/R

Weave Plain, Twill

Fabric Weight (Yarn Count, Density) Can be customized

Tensile/Tear Strength EU Standard

Colorfastness EU Standard

Color ANY color available

Size Size can be customized

OEM Service

Design can be customized, can put customer Logo on the uniform



Looking for the perfect long-sleeve camo tee? Rothco's collection of camouflage t-shirts offer great value and are ideal for screen printing. Available in a wide range of sizes and camo patterns.

- Cotton And Polyester Material Make For A Comfortable And Lasting Long Sleeve Tee
- Classic Military Inspired Camouflage Patterns Including Woodland Camo And Tiger Stripe Camouflage
- Works Well As A Base Layer Under Tactical Equipment Like Our Plate Carrier Vest, Travel Vest Or Can Be Worn On Its Own
- The Camo Shirt Is Great For Hikers, Hunters, Outdoorsman, And Milsim Enthusiast
- Great For Screen-Printing And Embroidery (See Specifications Tab For Instructions On Screen-Printing On Camo)

Product Description

Product Name

Woodland camouflage shirt

Model SNK-20

100% Wool, T/R

Weave Plain, Twill

Fabric Weight

(Yarn Count, Density)

Can be customized

Tensile/Tear Strength

EU Standard

Colorfastness EU Standard

Color ANY color available

Size Size can be customized

OEM Service

Design can be customized, can put customer Logo on

T-shirt Kollu :

Mükemmel uzun kollu kamufaj tişörtünü mü arıyorsunuz? Senkronun kamufaj tişört koleksiyonu büyük bir değer sunar ve serigrafi baskı için idealdir. Çok çeşitli boyutlarda ve kamufaj desenlerinde mevcuttur. Pamuk ve Polyester Malzeme Rahat ve Uzun Kollu Bir Tişört Oluşturur. Woodland Camo ve Tiger Stripe Kamufajı Dahil Klasik Askeri Esintili Kamufaj Desenleri

- Plaka Taşıyıcı Yeleğimiz, Seyahat Yeleğimiz Gibi Taktik Ekipmanların Altında Taban Katmanı Olarak Çalışır Veya Tek Başına Giyilebilir
- Kamufajlı Gömlek Yürüyüşçüler, Avcılar, Açık Hava Adamları ve Milsim Meraklıları İçin Harikadır. Serigrafi ve Nakış İçin Mükemmel (Kamufaj Üzerine Serigrafi Baskı ile İlgili Talimatlar İçin Özellikler Sekmesine bakın)



Product Description

Product Name
Khaki shirt

Model SNK-021
Material Poly/Wool,
100% Wool, T/R
Weave Plain, Twill
Fabric Weight
(Yarn Count, Density)



Product Description

Product Name
Army green shirt

Model SNK-019
Material Poly/Wool,
100% Wool, T/R
Weave Plain, Twill
Fabric Weight
(Yarn Count, Density)

Can be customized
Tensile/Tear Strength
EU Standard
Colorfastness
EU Standard
Color ANY color available
Size Size can be customized
OEM Service
Design can be customized,
can put customer Logo on the uniform



T-SHIRT SHORT SLEEVE

Senkron Camo T-Shirts are made with a soft and comfortable cotton blend that is perfect for sports, casual wear, tactical MilSim, and more.

- T-Shirts Come In A Variety Of Military-Inspired Camo Colors
- Made With A Super Soft And Comfortable Cotton Blend
- Great For Military Use, Airsoft Teams, And Everyday Fashion
- Camo T-Shirt Features A Comfortable Tagless Label
- Regular Cut For A Relaxed Look And Feel
- Camo Shirts Are Great For Screen-Printing - Suggestions For Printing Are Located On The Specifications Tab



TIŞÖRT KISA KOL -Senkronun Camo Tişörtleri, spor, gündelik giyim, taktik MilSim ve daha fazlası için mükemmel olan yumuşak ve rahat bir pamuk karışımından yapılmıştır. Tişörtler Askeri Esintili Çeşitli Kamufaj Renkleriyle Geliyor• Süper Yumuşak ve Rahat Pamuk Karışımı ile Üretilmiştir

- Askeri Kullanım, Airsoft Takımları ve Gündük Moda İçin Harika
- Kamufajlı Tişört Rahat Bir Etiketsiz Etikete Sahiptir
- Rahat Bir Görünüm ve His İçin Düzenli Kesim
- Kamufajlı Gömlekler Serigrafi Baskı İçin Harikadır - Baskı Önerileri Özellikler Sekmesinde Bulunmaktadır

Can be customized
Tensile/Tear Strength
EU Standard
Colorfastness
EU Standard
Color ANY color available
Size Size can be customized
OEM Service
Design can be customized,
can put customer
Logo on the uniform

Product Name
Multicam camouflage shirt
Material Poly/Wool, 100% Wool, T/R
Weave Plain, Twill
Fabric Weight
(Yarn Count, Density)
Can be customized
Tensile/Tear Strength
EU Standard
Colorfastness
EU Standard
Color ANY color available
Size Size can be customized
OEM Service
Design can be customized

Color ANY color available
 Size Size can be customized
 OEM Service
 Design can be customized,
 can put customer Logo on the vest



Description

Fabric composition: 100% cotton

Weight: 150~160gsm

Colour: digital woodland colour

Package: garment*1pcs

This digital desert camo is mainly for army soldiers in the desert place

Fabric: 100% cotton, knitted, 160 gsm, soft and comfortable, breathable and good sweat absorption, the colour fastness of lighting, washing and rubbing is level 3-4



Product Description

Product Name FAST Bullet Proof Helmet
 Model SNK-025 Bulletproof Material Aramid
 Bulletproof Level NIJ IIIA
 Suspension Standard
 Color Any color available
 Weight About 1.5 kg Warranty 5 Years
 Size All Sizes Available OEM Service Can put customer lable inside the helme



Product Description

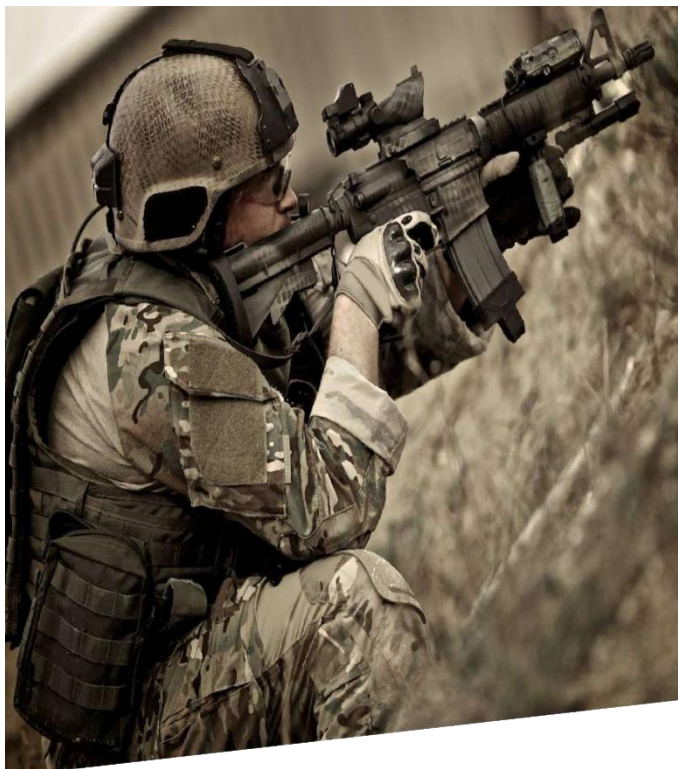
Product Name Woodland camouflage rainwear
 Model SNK-022
 Material Nylon, Ployster 100%
 Weave Plain, Twill, Rip-Stop
 Fabric Weight (Yarn Count, Density) Can be customized
 Tensile/Tear Strength EU Standard
 Colorfastness EU Standard

US WATER PROF PONCHO RIPSTOP %100 Polyamid



Product Description

Product Name Woodland camouflage rainwear
 Model SNK-022
 Material Nylon, Ployster 100%
 Weave Plain, Twill, Rip-Stop
 Fabric Weight (Yarn Count, Density) Can be customized
 Tensile/Tear Strength EU Standard
 Colorfastness EU Standard



TECHNICAL SPECIFICATIONS FOR PANCO RAINCOAT	
Chemical Properties	
Raincoat fabric features	
Type of material	% 100 Polyester
Square meter weight	Covered 105 gr/m2
Tissue	1/1 Bouquet Rip-Stop
Yarn Frequencies	
Weft Density	28 cm.
Warp frequency	45 cm.
Breaking Strength	
In the direction of the weft	250 N
In the warp direction	500 N
Tear Sternth	
In the direction of the weft (warp tear)	25 N
In the warp direction (weft tear)	20 N
	Flexible Footway Covered With Polyurethane to provide
	Water Properties
Water Absorption Value	Minimum 5,000 Mm Water Column After 10 Drains 3,000 Mm
Temperature resistance	Scoring At 70± 2 °C 20 Hours Expts on Breakdown Deformation Occur
Cold resistance	-20±2 °C 20 hour crushing
Color fastness	
Commercial House Type Collar Color Provision	Flowing 4 Fading 4
Color Provision Against Air Conditions	3-4
Color fastness to rubbing	Dry 4 Wet 3-4
Friction resistance	At the end of 30,000 revolutions do not clap in the thimble and warp yarns



Product Description

Product Name
Camouflage military safari hat
Model SNK-029
Material T/C, 100% Cotton, N/C
Weave Plain, Twill, Rip-Stop
Fabric Weight (Yarn Count, Density)
Can be customized
Tensile/Tear Strength EU Standard
Colorfastness EU Standard
Color ANY color available
Size Size can be customized
OEM Service
Design can be customized, can put customer Logo on the vest



FERTEL

FOREIGN TRADE LTD COMPANY

Product Description

Product Name
FAST Bullet
Proof Helmet
Model
SNK-027
Bulletproof
Material
Aramid
Bulletproof
Level NIJ IIIA
Suspension
Standard
Color Any color
available
Weight
About 1.5 kg
Warranty
5 Years
Size All Sizes
Available

Product Description

Product Name
SNK-027 Bulletproof Helmet
Model SNK-027 Bulletproof Helmets
Material Aramid
Bulletproof Level NIJ IIIA
Suspension Standard
Color Any color available
Weight About 1.5 kg
Warranty 5 Years
Size All Sizes Available
OEM Service Can put customer label inside the helmet

FERTEL
FOREIGN TRADE LTD COMPANY



Product Description

Product Name
 Camouflage military safari hat
 Model SNK-030
 Material T/C, 100% Cotton, N/C
 Weave Plain, Twill, Rip-Stop
 Fabric Weight (Yarn Count, Density)
 Can be customized
 Tensile/Tear Strength EU Standard
 Colorfastness EU Standard
 Color ANY color available
 Size Size can be customized
 OEM Service

Design can be customized, can put customer Logo on the vest



Product Description

1-Product Name: Military style hats

2-Material: 50% Nylon 50% Cotton

3-Fabric Type: Rip stop 4-Color: Custom Color

5-Finish Water-repellent Quarpel treatment 6-Brim: 2.5" Wide Brim 7-Tensile Strength: Meet EU Standard

8-Tear Strength: Meet EU Standard 9-Pilling: Meet EU Standard 10-Back Closure: Hook and Loop

Back Closure 11-Dimensional Stability: Meet EU Standard 12- Features: NIR Complaint, interior

map pocket 13-Model : SNK-037



Product Description

1-Product Name: Military ball caps

2-Material: 50% Nylon 50% Cotton

3-Fabric Type: Rip stop

4-Color: Custom Color

5-Finish: Water-repellent Quarpel treatment

6-Brim: 2.5" Wide Brim

7-Tensile Strength: Meet EU Standard

8-Tear Strength: Meet EU Standard

9-Pilling: Meet EU Standard

10-Back Closure: Hook and Loop Back Closure

11-Dimensional Stability: Meet EU Standard

12-Features: NIR Complaint, interior map pocket

13-Model: SNK - 038

PETROBANK GROUP
 ARMY TEXTILES



Product Description

- 1-Product Name:Olive Mesh Military Cap
- 2-Material:Polyester/Cotton Blend
- 3-Fabric Type:Rip stop, Twill, Plain
- 4-Color:Custom Color
- 5-Sweatband100%Cotton, 0.5cm, thick sponge inside
- 6-Circumference Size:56-60 cm
- 7-Tensile Strength:Meet EU Standard
- 8-Tear Strength:Meet EU Standard
- 9-Pilling:Meet EU Standard
- 10-Back Closure:Mesh Fabric
- 11-Dimensional Stability:Meet EU Standard
- 12-Features:Anti-Crease
- 13-Model:SNK-039

Ski mask

- Fabric thread
Feature:
100%
Acrylic Piling
3-4

Kar Maskesi

- Kumaş ipi Özelliği
: %100 Akrilik
Piling 3-4

Ski mask

- Fabric thread
Feature:
100%
Acrylic Piling
3-4



Kar Maskesi

- Kumaş ipi Özelliği
: %100 Akrilik
Piling 3-4

AWARD WINNING DESIGNS



Product Description

- 1-Product Name:Woodland combat cap
- 2-Material:50%Nylon 50% Cotton
- 3-Fabric Type:Rip stop
- 4-Color:Custom Color
- 5-Finish: Water-repellent Quarpel treatment
- 6-Brim:2.5" Wide Brim
- 7-Tensile Strength:Meet EU Standard
- 8-Tear Strength:Meet EU Standard
- 9-Pilling:Meet EU Standard
- 10-Back Closure: Hook and Loop Back Closure
- 11-Dimensional Stability:Meet EU Standard
- 12-Features: NIR Complaint, interior map pocket
- 13-Model:SKN-041



ATF
FERTEL

PETROBANK GROUP
ARMY TEXTILES

Product Description

- 1-Product Name: Ripstop camouflage cap
- 2-Material:50%Nylon 50% Cotton
- 3-Fabric Type:Rip stop
- 4-Color:Custom Color
- 5-Finish: Water-repellent Quarpel treatment
- 6-Brim:2.5" Wide Brim
- 7-Tensile Strength:Meet EU Standard
- 8-Tear Strength:Meet EU Standard
- 9-Pilling:Meet EU Standard
- 10-Back Closure: Hook and Loop Back Closure
- 11-Dimensional Stability:Meet EU Standard
- 12-Features:NIR Complaint, interior map pocket
- 13-Model:SNK-040

Bere
Teknik Özelliği;

% 90 Yün
%10 Polyamid
23 Micron ip
Kumaş metre kare
ağırlığı: 500 gr/m2
(+/- 20 gr/m2)

Hava şartların göre
renk hastlıkları 3-4

Diğer şartlar

Avrupa
standartlarında

İç astar

%100 Pamuk
Kumaş Metre Kare ağırlı:
120 Gr/m2 (+/-15 gr/m2)

Kenar Biyesi

%100 Polyester

ATF
FERTEL

PETROBANK GROUP

ARMY TEXTILES



Beret T
echnical Feature;

% 90 Wool

% 10 Polyamide

23 Micron rope

Fabric square meter weight:

500 gr/m2 (+/- 20 gr/m2)

Color fastness

according to weather

conditions 3-4

Other conditions are in

European standards

inner lining

100% Cotton

Fabric Square Meter weight:

120 Gr/m2 (+/-15 gr/m2)

Edge Binding

100% Polyester

PETROBANK GROUP

ARMY TEXTILES





Product Description

Product Name
Military beret
Model SNK-044
MaterialWool
Lining Material T/C or 100% Cotton
Binding MaterialLeather or Pu or Fabric
Color Any color available
Weightcustomized. 60-110g/pc
ColorfastnessEU standard
Size All Sizes
OEM Service Design can be customized, can put customer Logo on the beret

Product Description

Product Name
Military beret cap
Model SNK-042
MaterialWool
Lining Material T/C or 100% Cotton
Binding MaterialLeather or Pu or Fabric
Color Any color available
Weightcustomized. 60-110g/pc
ColorfastnessEU standard
Size All Sizes

OEM Service Design can be customized, can put customer Logo on the beret

Product Description

Product Name
Army green Beret
Model SNK-043
MaterialWool
Lining Material T/C or 100% Cotton
Binding MaterialLeather or Pu or Fabric
Color Any color available
Weightcustomized. 60-110g/pc
Colorfastness EU standard
Size All Sizes



OEM Service Design can be customized, can put customer Logo on the beret

CİBİNLİKLİ ŞAPKA -oonie Hat, yalnızca zararlı güneş

ışınlarından en iyi korumayı sağlamakla kalmaz, aynı zamanda eklenen cibinlik, yüzünüzle boynunuz arasında böceklerden bir bariyer sağlar. Askeri Boonie Şapka,

Sivrisinek Ağının Eklenmesi ile Güneşten ve Böceklerden

Koruma Sağlar Şapkayı Avcılık, Balıkçılık ve Kampçılık İçin Harika

Hale Getirir Sivrisinek Ağları

Esnek% 100 Polyester Malzemeden Yapılmıştır

ve Gerekliğinde Aşınabilir veya

Kullanılmadığında Bonnie Şapkasının İçine

ÇekilebilirBoonie Şapka Hafif ve

Nefes Alabilir Pamuk / Polyester Malzemeden

Yapılmıştır 4 Ekranlı Yan Havalandırma

Sizi Serin Tutmak İçin Tasarlandı

Ayarlanabilir Çene Kayışı,

Kapağı En Rüzgarlı Koşullarda

MOSQUE HAT Boonie Hat not

only offers optimal protection from the harmful sun rays, but the added

mosquito netting will provide a barrier between your face and neck from

insects. The Military Boonie Hat Provides

Protection From The Sun And Insects

With The Addition Of The Mosquito

Netting Makes The Hat Great For

Hunting, Fishing And Camping

Mosquito Netting Is Constructed

Of Resilient 100% Polyester Material

And Can Be Worn Down When Needed

Or Pulled Up Into The Bonnie Hat

When Not In UseThe Boonie Hat Is

Made From A Lightweight And Breathable

Cotton / Polyester Material4 Screened Side

Vents Are Designed To Keep You CoolAdjustable

Chin Strap Keeps The Cap In Place Even

In The Windiest Conditions7 - 7 3/4

Line Size





TACTICAL
GRAPPLE GLOVES-HALF



TACTICAL
GRAPPLE GLOVES-HALF

TACTICAL
GRAPPLE GLOVES-HALF-



Description

leupold scopes, spotting scope, tactical scope, red dot scope, rimfire scope, red dot sight, compact spotting scope, shooting scope, compact scope, high power scope, military scopes, aim scopes



Product Description

Product Name

Rimfire scope

Magnification 5-30x 4-24x 3-18x

Objective Lens Dia 56mm 50mm 50mm

Ocular Dia 36mm(1.4inch)

6mm 36mm

Ocular Length

60mm(2.3inch)

60mm 60mm

Exit Pupil 11-1.8mm

12.5-2.1mm 16.6-2.7mm

Overall length

398mm(15.6inch) 380mm(15.0inch) 335mm(12.2inch)

Eye Relief

100mm(4inch) 100mm(4inch) 100mm(4inch)

Fov(@100yds) 20.43-2.52 feet 9.1-1.5m 32.9-5.8 feet

Windage Range $\geq 12\text{ML}(40\text{MOA}) \geq 15\text{ML}(40\text{MOA}) \geq 17.5\text{ML}(40\text{MOA})$

Parallax Adjustment 20 Yds to infinite 15 Yds to infinite 15 Yds to infinite

Ürün Açıklaması Ürün adı Rimfire
kapsamı Büyütme 5-30x 4-24x 3-18x
Objektif Lens Çapı 56mm 50mm 50 mm
Oküler Çap 36 mm (1,4 inç) 6 mm 36 mm
Oküler Uzunluk 60 mm (2,3 inç) 60 mm
60 mm Çıkış Öğrenci 11-1.8 mm 12,5-2,1
mm 16,6-2,7 mm Toplam uzunluk 398 mm
(15,6 inç) 380 mm (15,0 inç) 335 mm
(12,2 inç) Göz Rölyefi 100 mm (4 inç) 100
mm (4 inç) 100 mm (4 inç) Fov (@ 100yds)
20,43-2,52 fit 9,1-1,5 m 32,9-5,8 fit
Windage Aralığı 12ML (40MOA) 15ML
(40MOA) 17,5ML (40MOA) Paralaks Ayarı

Specifications

30mm hammer-forged aluminum
monotube design

Side focus mark:

20, 25, 30, 40, 50, 75, 100,

200, 300, 500, 900

and infinite

Shock tested to 1000g,

water proof and fully nitrogen purged

Turret lock system. Pull to adjust, press to lock.

Two extra elevation turrets

marked 1cm and 0.1 MRAD

High quality 6061 T6

aircraft grade aluminum

Diopter compensation from fast-focus

eyepiece -2 to +1.5

Including items: 30mm tactical

picatinny rings

(default) or dovetail mount ring

(on request only), cleaning cloth, instruction,

lens cap, honeycomb filter sunshade,

packed in nice retail box

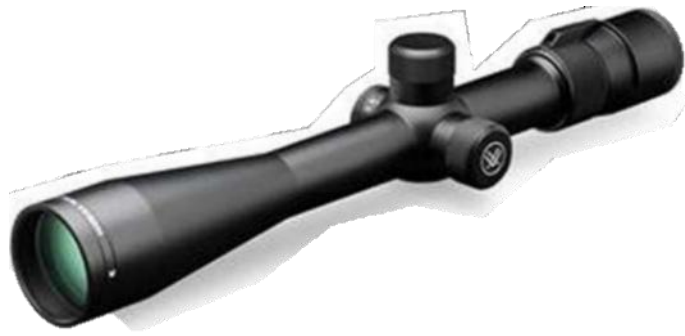


Description

leupold scopes, spotting scope, tactical scope, red dot scope, rimfire scope, red dot sight, compact spotting scope, shooting scope, compact scope, high power scope, military scopes, aim scopes

Specifications

30mm hammer-forged aluminum monotube design Side focus mark: 20, 25, 30, 40, 50, 75, 100, 200, 300, 500, 900 and infinite Shock tested to 1000g, water proof and fully nitrogen purged Turret lock sytem. Pull to adjust, press to lock. Two extra elevation turrets marked 1cm and 0.1 MRAD High quality 6061 T6 aircraft greade aluminum Diopter compensation from fast-focus eyepiece -2 to +1.5 Including items: 30mm tactical picatinny rings (default) or devetail mount ring (on request only), cleaning cloth, instruction, lens cap, honeycomb filter sunshade, packed in nice retail box



Açıklama leupold kapsamları, tespit kapsamı, taktik kapsam, kırmızı nokta kapsamı,

rifire kapsamı, kırmızı nokta görüş, kompakt tespit kapsamı, atış kapsamı, kompakt kapsam, yüksek

güç kapsamı, askeri kapsamlar, hedef kapsamları Teknik Özellikler 30 mm çekiçle dövülmüş alüminyum monotüp tasarım

Yan odak işareti: 20, 25, 30, 40, 50, 75, 100, 200, 300, 500, 900 ve sonsuz 1000 g'a kadar şok testi yapıldı, su geçirmez

ve tamamen nitrojen temizlendi Taret kilit sistemi. Ayarlamak için çekin, kilitlemek için basın. 1 cm ve 0,1 MRAD olarak

işaretlenmiş iki ekstra yükseklik taret Yüksek kaliteli 6061 T6 uçak greade alüminyum Hızlı odaklı mercek -2'den +1.5'e

diyoptri telafisi içindekiler: 30 mm taktik pikatinli halkalar (varsayılan) veya devetail montaj halkası (yalnızca istek üzerine),

temizlik bezi, talimat, lens kapağı, petek filtreli güneşlik, güzel perakende kutusunda paketlenmiş

Ürün Açıklaması

Ürün adı Askeri kapsamlar Büyütme 5-30x 4-24x 3-18x Objektif Lens Çapı 56mm 50mm 50mm Oküler Çap 36 mm (1,4 inç) 36 mm 36 mm Oküler Uzunluk 60 mm (2,3 inç) 60 mm 60 mm Çıkış Öğrenci 11-1.8mm 12,5-2,1 mm 16,6-2,7 mm Toplam uzunluk 398 mm (15,6 inç) 380 mm (15,0 inç) 335 mm (12,2 inç) Göz Rölyefi

Specifications

30mm hammer-forged aluminum monotube design Side focus mark: 20, 25, 30, 40, 50, 75, 100, 200, 300, 500, 900 and infinite Shock tested to 1000g, water proof and fully nitrogen purged Turret lock sytem. Pull to adjust, press to lock. Two extra elevation turrets marked 1cm

Askeri kapsamlar Açıklama leupold kapsamları, tespit kapsamı, taktik kapsam, kırmızı nokta kapsamı, rifire kapsamı, red dot sight, kompakt tespit kapsamı, atış kapsamı, kompakt dürbün, yüksek güç kapsamı, askeri kapsamlar, hedef kapsamları Teknik Özellikler 30 mm çekiçle dövülmüş alüminyum monotüp tasarım Yan odak işareti: 20, 25, 30, 40, 50, 75, 100, 200, 300, 500, 900 ve sonsuz 1000 g'a kadar şok testi yapıldı, su geçirmez ve tamamen nitrojen temizlendi Taret kilit sistemi. Ayarlamak için çekin, kilitlemek için basın. 1 cm olarak işaretlenmiş iki ekstra yükseklik kulesi

Military scopes

Description

leupold scopes, spotting scope, tactical scope, red dot scope, rimfire scope, red dot sight, compact spotting scope, shooting scope, compact scope, high power scope, military scopes, aim scopes



Product Description

Product Name
Military scopes

Magnification 5-30x 4-24x 3-18x
Objective Lens Dia 56mm 50mm 50mm
Ocular Dia 36mm (1.4inch)
36mm 36mm
Ocular Length
60mm (2.3inch) 60mm 60mm Exit Pupil 11-1.8mm 12.5-2.1mm 16.6-2.7mm
Overall length 398mm (15.6inch) 380mm (15.0inch) 335mm (12.2inch)
Eye Relief



Product Description

Product Name

Army black gas mask

Airtight of exhalation valve

the pressure drop is no more than 500 Pa

in 45 seconds under negative pressure of 1180Pa. Exhalation valve Performance There is an exhalation valve cap,

and the exhalation valve is easy to breathe. Dead spaces≤1% Exhalation resistance100Pa 30L/min

Inhalation resistance40Pa 30L/min TightnessNo continuous bubbles for 30 seconds in water

under positive pressure test value of (1900-2300)Pa Inward leakage of mask≤0.05%



Military gas mask

Description

The product has advanced digital processing technology it can completely eliminate echo, and reverberation .it has advanced power management technology, and the strong endurance with stand for several weeks. the mask is designed to be compact and lightweight, ensuring its tightness and performance. it has a clear call within

Product

Description

Airtight of exhalation valve

the pressure

drop is no more

than 500 Pa in 45

seconds

under negative

pressure of 1180 Pa.

Exhalation valve Performance

There is an exhalation valve cap,

and the exhalation valve is easy to breathe.

Dead spaces≤1%

Exhalation resistance100Pa 30L/min

Inhalation resistance40Pa 30L/min

TightnessNo continuous bubbles for 30 seconds in water

under positive pressure test value of (1900-2300)Pa

Inward leakage of mask≤0.05%



Product Description

Product Name

Military gas mask

Airtight of exhalation

valve

the pressure drop is

no more than 500 Pa

in 45 seconds under

negative pressure of 1180 Pa.

Exhalation valve

Performance

There is an exhalation

valve cap,

and the exhalation valve

is easy to breathe.

Dead spaces≤1%

Exhalation resistance

100Pa 30L/min

Inhalation resistance 40Pa 30L/min

TightnessNo continuous bubbles for 30 seconds

in water under positive pressure test value of

(1900-2300)Pa Inward leakage of mask≤0.05%





PETROBANK GROUP
ARMY TEXTILES





Product Description

Product Name Black Police Boot

Model DK-MB-006

Upper Material Genuine

Leather or Artificial Leather

Outsole Material Rubber or PU or customized

Insole Material customized

Color Any color available

Sole Type DMS or Injection

Test Report Available



Product Description

Product Name

Black Military Combat Boot

Model SNK-54

Upper Material Genuine

Leather or Artificial Leather

Outsole Material Rubber

or PU or customized

Insole Material customized

Color Any color available

Sole Type DMS or Injection

Test Report Available

Size Customized

OEM Service Available



PETROBANK GROUP
ARMY TEXTILES





Product Description

Product Name

Multicam Camouflage Backpack
 Material Polyester or Nylon or Cordura or Canvas
 Yarn Count Customized
 Waterproof PU or PVC waterproof Coating
 Color Any color available
 Webbing PP or Polyester or Nylon
 Accesories EU Standard or Customized
 Size Customized
 OEM Service Design
 Can be customized, Can put customer Logo on the Bag



Product Description

Product Name

Woodland

Camo Alice Backpack
 Material Polyester or Nylon or Cordura or Canvas
 Yarn Count Customized
 Waterproof PU or PVC waterproof Coating
 Color Any color available
 Webbing PP or Polyester or Nylon Accesories
 EU Standard or Customized
 Size Customized
 OEM Service Design
 can be customized, can put customer Logo on the Bag





Military Rifle Gun Bag Description Army Green Military Rifle Gun Bag for AK 47 Specifications Material Polyester or Nylon or Cordura or Canvas Yarn Count Customized Waterproof PU or PVC Coating Color Customized Size Customized OEM Service Available



Multicam Camouflage Backpack

Description

Cordura Multicam Camouflage Tactical Army Backpack with MOLLE System Specifications Material Polyester or Nylon or Cordura or Canvas Yarn Count Customized Waterproof PU or PVC Coating Color Customized Size Customized OEM Service Available

Product Description

Product Name

Military Rifle Gun Bag

Material Polyester or Nylon or Cordura or Canvas

Yarn Count Customized

Waterproof PU or PVC waterproof Coating

Color Any color available

Webbing PP or Polyester or Nylon

Accessories EU Standard or Customized

Size Customized

OEM Service Design can be customized, can put customer Logo on the Bag



Waterproof Coating



Size Customized

Camouflage Military Backpacks

Product Description

Product Name

Digital ACU Camouflage Rucksack

Material Polyester or Nylon or Cordura or Canvas

Yarn Count Customized

Waterproof PU or PVC waterproof Coating

Color Any color available

Webbing PP or Polyester or Nylon

Accessories EU Standard or Customized

Size Customized

OEM Service Design can be customized, can put customer Logo on the Bag



Product Description

Product Name
3 color desert sleeping bag
MaterialPolyester or Nylon
Yam CountCustomized
Waterproof PU or PVC waterproof Coating
Color Any color available
WebbingPP or Polyester or Nylon
AccessoriesEU Standard or Customized
Size Customized
OEM Service Design can be customized, can put customer Logo on the Bag



Product Description
Product Name
Urban digital sleeping bag
MaterialPolyester or Nylon
Yam CountCustomized
Waterproof PU or PVC waterproof Coating
Color Any color available
WebbingPP or Polyester or Nylon
AccessoriesEU Standard or Customized
Size Customized
OEM Service Design can be customized, can put customer Logo on the Bag



Product Description
Product Name
Military sleeping bag
MaterialPolyester or Nylon
Yam CountCustomized
Waterproof PU or PVC waterproof Coating
Color Any color available
WebbingPP or Polyester or Nylon
AccessoriesEU Standard or Customized
Size Customized
OEM Service Design can be customized, can



Product Description
Product Name
3 color desert sleeping bag
MaterialPolyester or Nylon
Yam CountCustomized
Waterproof PU or PVC waterproof Coating
Color Any color available
WebbingPP or Polyester or Nylon
AccessoriesEU Standard or Customized
Size Customized
OEM Service Design can be customized, can put customer Logo on the Bag



Product Description
Product Name
Camouflage sleeping bag
MaterialPolyester or Nylon
Yam CountCustomized
Waterproof PU or PVC waterproof Coating
Color Any color available
WebbingPP or Polyester or Nylon
AccessoriesEU Standard or Customized
Size Customized
OEM Service Design can be customized, can put customer Logo on the Bag



MILITARY SCARVES Wear as a face mask, balaclava or head cover, Synchronous Defense Desert Scarves are a must have for everyone. Ideally worn when traveling through the desert, blizzard and other extreme weather conditions you may encounter, these tactical scarves can be adapted to any environment. Breathable Woven Cotton Construction Provides the Perfect Combination of Comfort and Flexibility While Protecting Your Head and Neck from Harmful Sunlight, Snow, Sand and Other Debris Can Be Worn As A Face Mask, Balaclava, Neck Gaiter, And Much More - The Tactical Scarf Measures Approximately 42" X 42", Allows You To Wrap Your Scarf Around Your Head And Neck In Various Ways Versatile Keffiyeh Is A Great Survival Tool That Can Be Manipulated And Used As A Makeover Hanger, Turnstile, Pouch And More - A Must Have For Your Bug-Proof Bag or 72-Hour Bag Synchronous Defense Scarves Are Worn By Military Personnel Around The World And Also Made A Great Fashion Accessory Available in more than a dozen colors, including Olive Drab and Coyote

UNDERWEAR

Polyester Expanded Cold Weather Clothing System Contains 100% polyester with a soft and comfortable fleece lining. The underwear has a full cut for added comfort. Be sure to view matching tops as well.





FOOT WEAPON CASE

Elastic Ankle Holster fits sub compact and pocket pistols. Measuring 14" x 5" with hook and loop closure, this ankle holster features a 1" plastic clip, to attach shirt stay, and webbing with a hook and loop retention strap for concealed carry. The elastic ankle holster also features sheep wool paddin.





Product Description

Product Name Outdoor tent
 Material Polyester or Nylon or Cordura or Canvas
 Yarn Count Customized
 Waterproof PU or PVC waterproof Coating
 Color Any color available
 Webbing PP or Polyester or Nylon
 Accessories EU Standard or Customized



Product Description

Product Name 10 people tent
 Model DK-CT-014
 Material Polyester or Nylon or Cordura or Canvas
 Yarn Count Customized
 Waterproof PU or PVC waterproof Coating
 Color Any color available
 Webbing PP or Polyester or Nylon
 Accessories EU Standard or Customized
 Size Customized
 OEM Service Design can be customized, can put customer Logo on the Bag



Product Description

Product Name Large Size
 Camouflage Tent Model DK-CT-009
 Material Polyester or Nylon or Cordura or Canvas
 Yarn Count Customized
 Waterproof PU or PVC waterproof Coating
 Color Any color available
 Webbing PP or Polyester or Nylon
 Accessories EU Standard or Customized
 Size Customized
 OEM Service Design can be customized, can put customer Logo on the Bag



Product Description
 Product Name
 8 man tent
 Material Polyester or Nylon or Cordura or Canvas
 Yarn Count Customized
 Waterproof PU or PVC waterproof Coating
 Color Any color available
 Webbing PP or Polyester or Nylon
 Accessories EU Standard or Customized

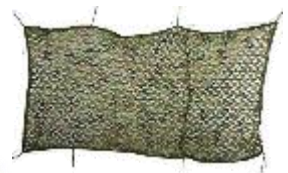


Product Description

Product Name
 Special Olive color military gear
 Model DK-MJ-024
 Material T/C, 100% Cotton, N/C
 Weave Plain, Twill, Rip-Stop
 Fabric Weight (Yarn Count, Density) Can be customized
 Tensile/Tear Strength EU Standard
 Color fastness EU Standard
 Color ANY color available
 Size Size can be customized
 OEM Service
 Design can be customized,
 can put customer Logo
 on the vest



Product Description
 Product Name Woodland Camouflage Netting
 Model DK-CN-001
 Material Polyester or Nylon or Cordura or Canvas
 Yarn Count Customized
 Waterproof PU or PVC waterproof Coating
 Color Any color available
 Webbing PP or Polyester or Nylon
 Accessories EU Standard or Customized
 Size Customized
 OEM Service Design can be customized, can put customer Logo on the Bag









BTR-80 LASTIK

PN30/KN80

BTR Zırhlı araçlarında kullanılan güçlendirilmiş, havasız gidebilen lastiklerin tedariki yapılabilmektedir.





Mi-17 HELIKOPTER



DATE :
REF :



petrobank
PETROBANK PETROL & MEDİKAL İTH. İHR. SAN. VE TİCARET LTD ŞTİ

PETROBANK PETROL MEDİKAL İTHALAT İHRACAT SANAYİ TİCARET LIMITED SİRKETİ
OILS / LUBRICANTS

COMPANY NAME : PETROBANK PETROL MEDİKAL İTHALAT İHRACAT SANAYİ TİCARET LIMITED SİRKETİ
OWNER : MR. MEHMET ALI NASRI
MERSİS : 0729 1183 3850 0001
NACE : 46 71 01
TAX NUMBER : 7291 1833 85 İSTIKLAL 33250
REG. OF COMM. : 61 224
EXPORT UNION : 3 / 2930
WEB : www.petrobank.net
MAIL : oils@petrobank.net
TELL : 0090 324 504 11 81
GSM : 0090 555 066 11 55
ADDRESS : Atatürk Mahallesi 31089 Sokak No : 1/B Merada Mezitli - MERSİN / TURKEY



"%100 MÜŞTERİ MEMNUNİYETİ"



"PROFESYONEL HİZMET"



"ÜSTÜN KALİTE"



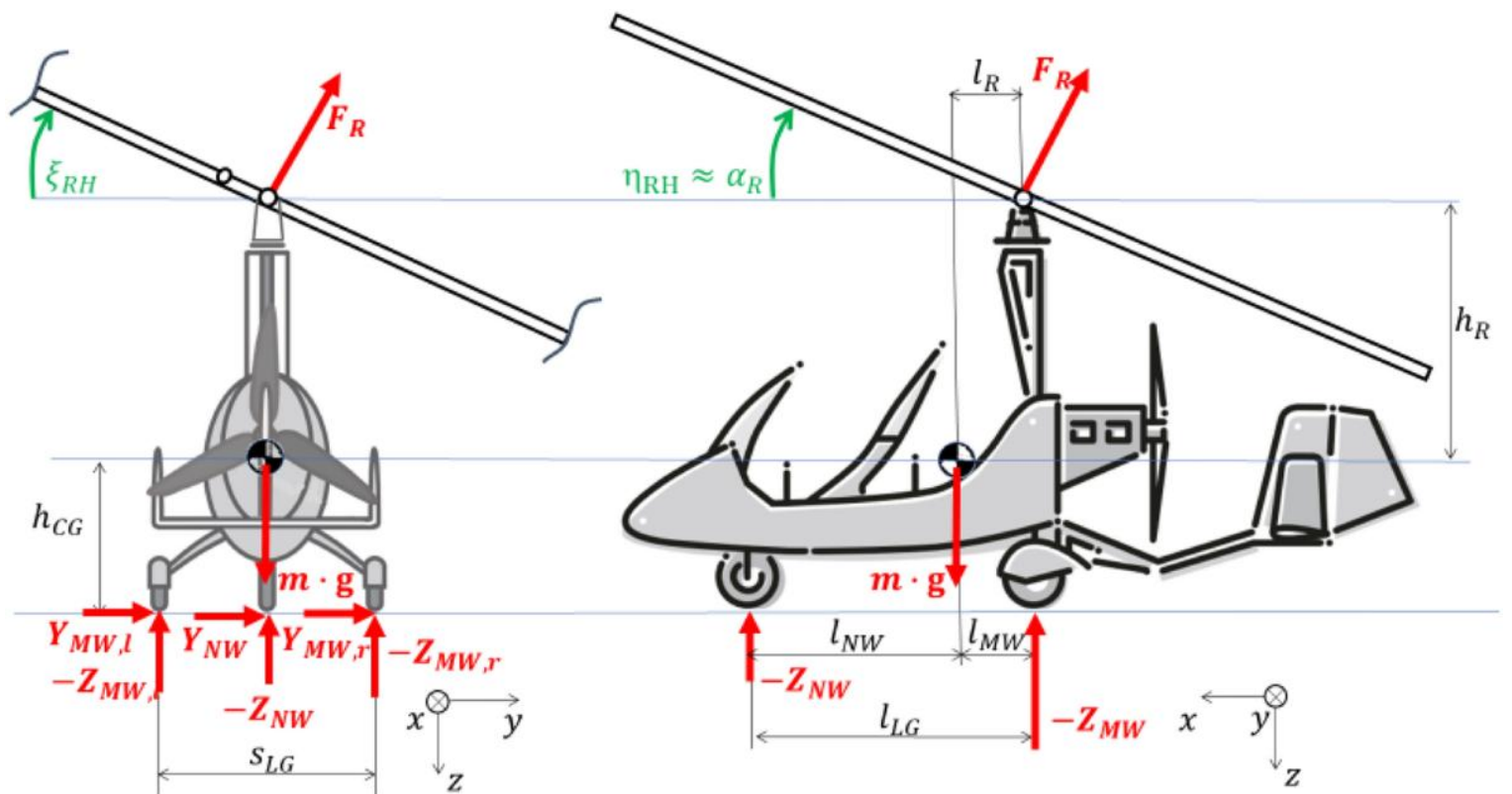
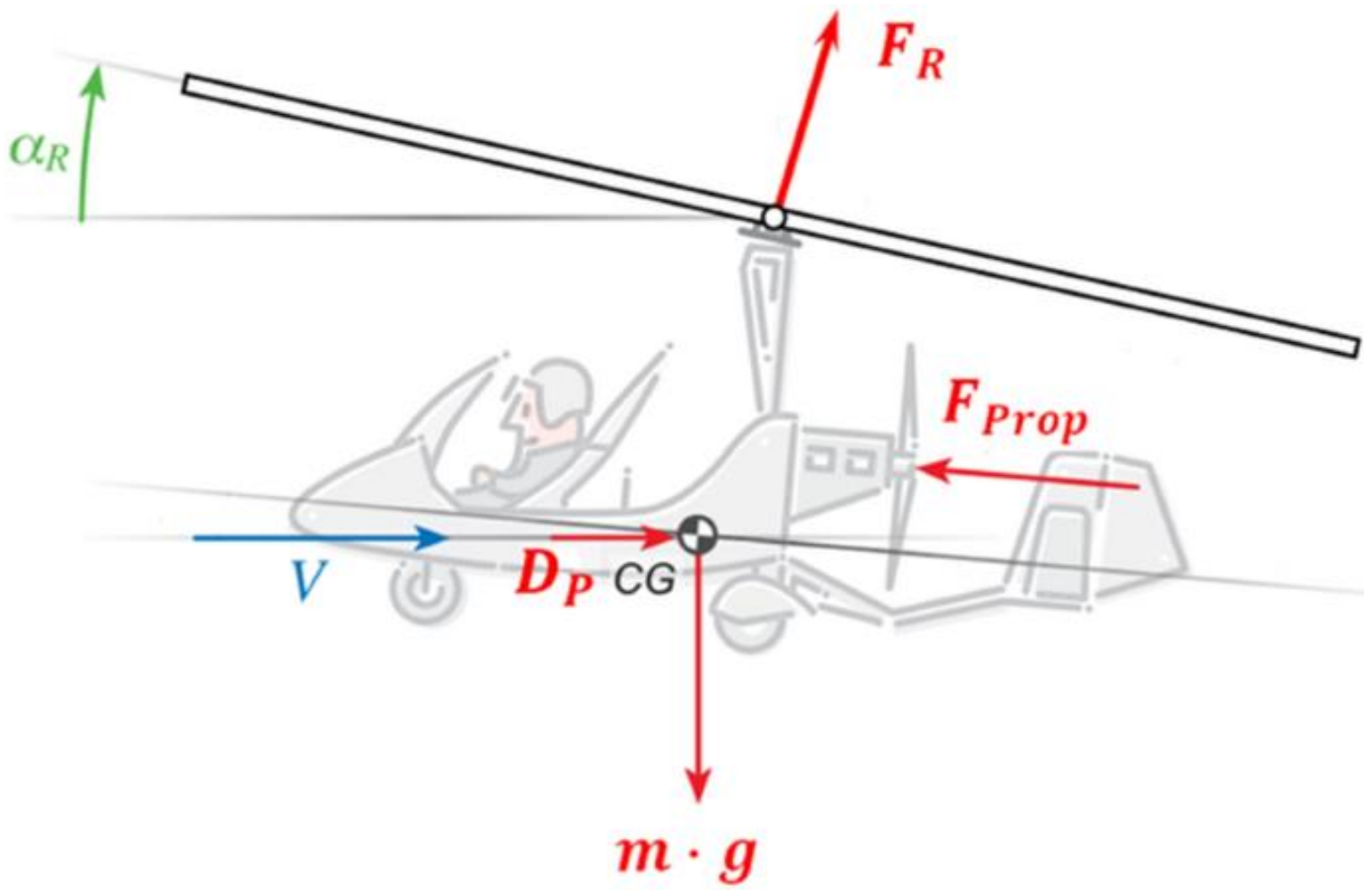
"GÜÇLÜ ALTYAPI"



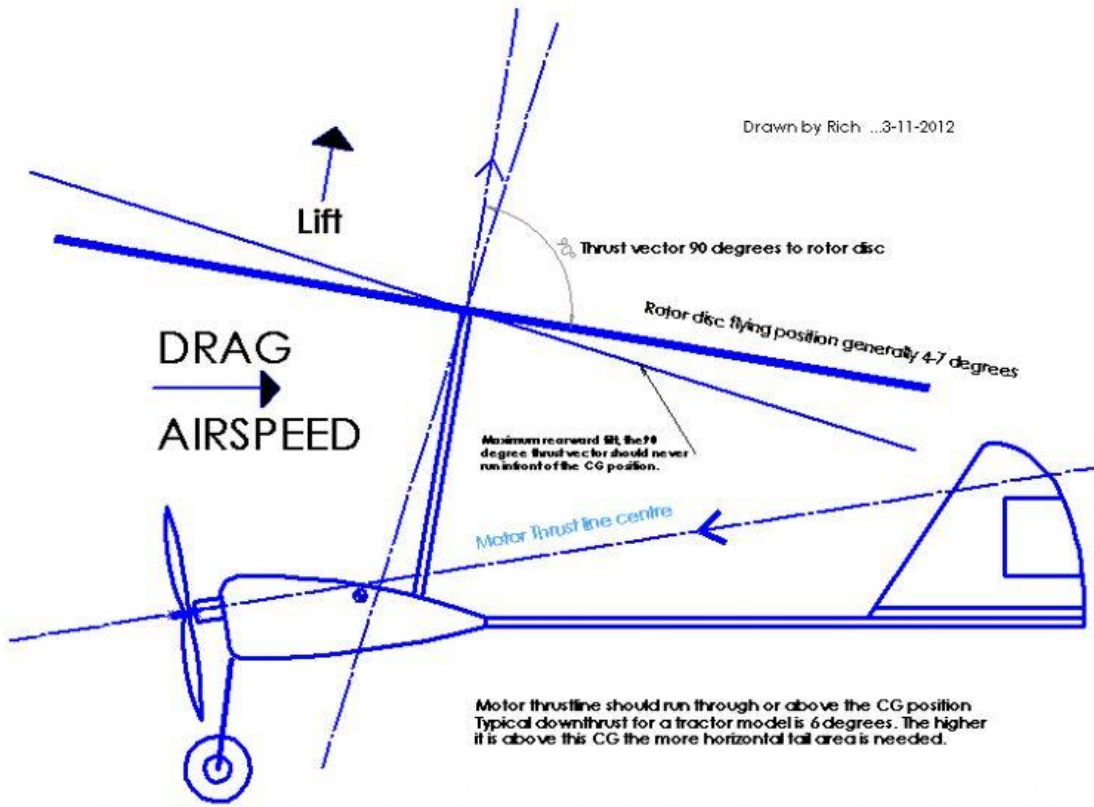


ALL KINDS OF MILITARY

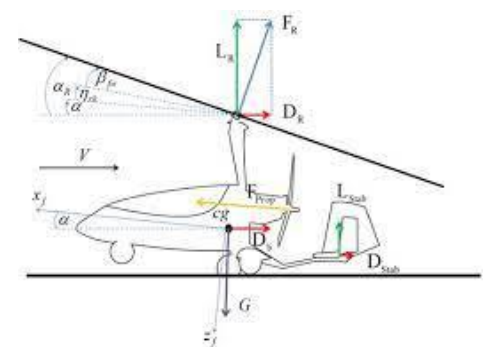
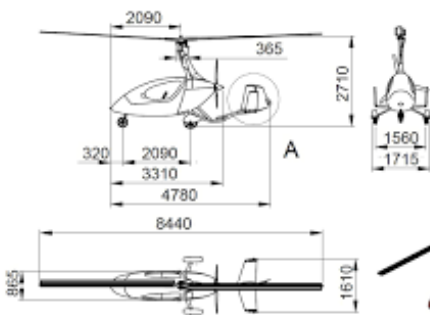
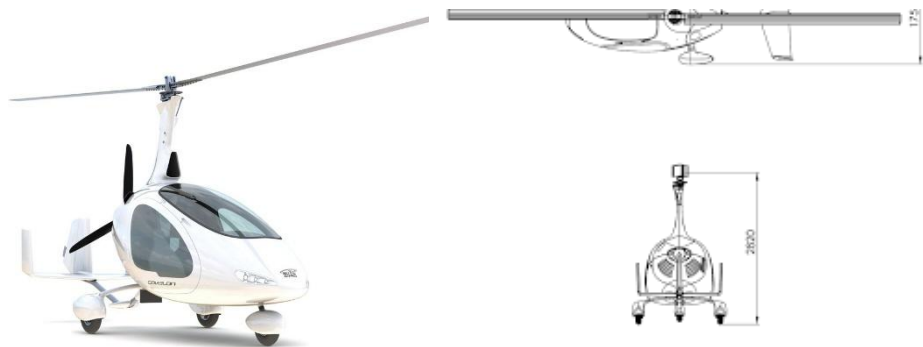
- SPARE PARTS
- MIL LUBRICANTS
- EQUIPMENTS
- TEXTILE
- PLANES
- ENGINES



Drawn by Rich ...3-11-2012



AWARD WINNING DESIGNS











AWARD WINNING DESIGNS

















FLYING WITH POWER

Aircraft engine performance

The Cavalon aircraft is available with three engine options*.

Rotax 915/916 IS 141/160hp, turbocharged are fuel injected engines. These are equipped with the state of the art of technology in modern aircraft engines. No carburettor icing with these engines in your aircraft. They are fully computer controlled, enabling excellent low fuel burn in the cruise, whilst providing startling performance when used to their full potential.

Two integral independent alternators mean that the engine management system has a dual redundant safe energy supply. In normal use the primary alternator supplies the engine management system, and the secondary supplies all on board systems, with fully automatic switching in case of failure. An auxiliary alternator is available to power additional equipment such as camera and Lidar systems.

Featuring also dual ignition, dual fuel injection, and even dual engine sensor arrays, these engines are exceptionally reliable power supplies for our aircraft.

*Rotax 914/111 113hp, turbocharged is for special order only.



TECHNICAL DATA OF ROTAX ENGINE 915 /916 IS

- Dual Lane full power with single lane use
- Dual Generators Fail safe due to dual generator design
- Redundant Sensors
 - Dual ambient pressure sensors
 - Dual boost pressure sensors
 - Dual manifold pressure sensors
 - Dual oil pressure sensors
- Redundant fuel injectors
- Redundant spark plugs
- Redundant ignition boxes
- Redundant EMS (Engine Management System) ensures safe operation
- Full take of power up to 15.000ft
- Engine Service Ceiling at 23.000ft
- 141/160hp take off power
- 135/137hp continuous power



FLYING WITH ENHANCED SAFETY

The concept of the safety cell and multiple standardised safety systems

Just like modern cars, multiple safety measures are developed and fitted in an AutoGyro gyroplane. These unique features unveil the real German craftsmanship.

Safety is at the heart of AutoGyro design. The remarkable monocoque safety cell concept comprises an extremely strong glass and carbon body cell structure. This is proven in test, and in practice, to provide best in class protection for the occupants. The strength of the forward door post structure prevents any crumpling in an accident, absorbing the enormous energy of the engine and seat harness loads. There is no danger of the cabin crumpling in an AutoGyro aircraft.

Multiple warning sensors are equipped as standard to the Cavalon to keep the pilot fully aware of the aircraft status. Indicators such as low fuel, a low voltage lamp with integrated management system, fuel pressure, engine bay fire warning with integrated test system, independent multiple sensors such as oil pressure and low oil pressure warning, coolant temperature and high coolant temp warning. All these systems are designed to provide redundancy and amplified warnings to ensure full situational awareness.

This is where the years of AutoGyro experience and knowledge counts.



[More configuration options are available! Please talk to your sales representative for details.](#)

CABIN HEATER
The engine coolant heats the air via variable speed fan driven heat exchanger in the aircraft nose. This carbon monoxide free system means both effective screen demisting and a warm cabin even when freezing outside

SEAT HEATING AND LUMBAR SUPPORT
Both seats can be fitted with heaters in the base and the back cushions. Pneumatic lumbar support can also be fitted a welcome addition especially for cross country flying

CABIN VENTILATION
Regulated fresh air can be drawn through the aircraft under-nose scoop, or the door scoops. One or both doors can be removed to have a full fresh air feeling

LUGGAGE ROOM
A backpack can be fitted to the rear of each seat back

ADJUSTABLE SEAT POSITION
The seat back can be moved axially, giving the perfect position for the pilots from 1.5m to 2m tall

ADJUSTABLE SEAT ANGLES
Allowing the pilot and passenger to adjust their seat for a comfortable flight

ADJUSTABLE PEDAL POSITION
To match different leg lengths for maximum comfort

OPTIONAL QUICK RELEASED STICK FOR EASY / DISABLED ACCESS
By removing two pop-pins, the stick can either be fully removed or laid flat, making access much easier

OPTIONAL DISABLED CONTROL SYSTEM
This is a full hand control system, allowing the aircraft to be controlled in pitch, roll and yaw from the stick mounted yoke

HAND CONTROLS
For the best possible ergonomics, the power lever is located in the center channel for the left hand, with the right hand on the stick with push-to-talk button, pitch and roll trim and prerotate activator

SINGLE LEVER CONTROL
RS Flight Systems single lever control together with the WOODCOMP KW 30 hydraulic constant speed propeller is managed automatically and delivers maximum thrust at all times according to the throttle setting. It reduces workload and increases flight safety, so that the pilots can easily manage complex missions in marginal weather condition or at night

OPTIONAL LEFT SEAT LEFT HAND THROTTLE FOR INSTRUCTOR USE
Option for flight schools



- 3 AWARDED
- 4 ELEGANT
- 5 COMFORT
- 6 INDIVIDUALISED
- 7 CUTTING-EDGE
- 8 SAFE
- 9 BE SEEN
- 10 POWERFUL
- 11-15 ADVANCED - COCKPIT CONFIGURATION

- 16 CUSTOMIZED - INTERIOR
- 17 CUSTOMIZED - BODY PAINTING
- 18 CUSTOMIZED - EXTERIOR
- 19 CUSTOMIZED - ADDITIONAL OPTIONS
- 20 PROFESSIONAL USE
- 21 RESPONSIBLE
- 22 CERTIFIED
- 23 GREEN
- 24 TECHNICAL DATA
- 25 COMPANY PROFILE

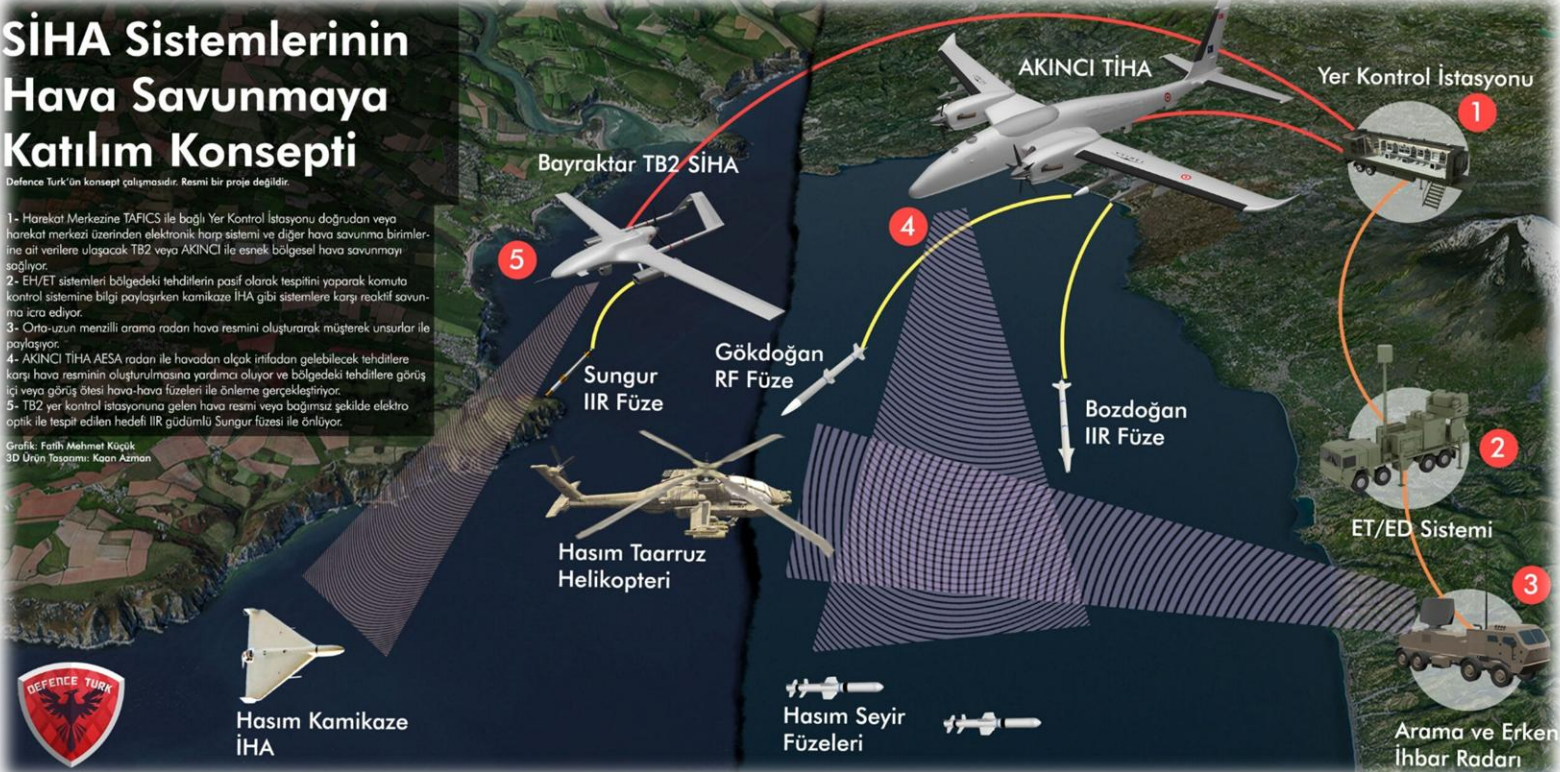


SiHA Sistemlerinin Hava Savunmaya Katılım Konsepti

Defence Turk'un konsept çalışmasıdır. Resmi bir proje değildir.

- 1- Harekat Merkezine TAFICS ile bağlı Yer Kontrol İstasyonu doğrudan veya hareket merkezi üzerinden elektronik harp sistemi ve diğer hava savunma birimlerine ait verilere ulaşacak TB2 veya AKINCI ile esnek bölgesel hava savunmayı sağlıyor.
- 2- EH/ET sistemleri bölgedeki tehditlerin pasif olarak tespitini yaparak komuta kontrol sistemine bilgi paylaşıyor kamikaze İHA gibi sistemlere karşı reaktif savunma işi yapıyor.
- 3- Orta-uzun menzilli arama radarın hava resmini oluşturarak müşterek unsurlar ile paylaşıyor.
- 4- AKINCI TIHA AESA radarın ile havadan algılayarak gelebilecek tehditlere karşı hava resminin oluşturulmasına yardımcı oluyor ve bölgedeki tehditlere görüş açıyor veya görüş bitesi hava-hava füzeleri ile önleme gerçekleştiriyor.
- 5- TB2 yer kontrol istasyonuna gelen hava resmi veya bağımsız şekilde elektro optik ile tespit edilen hedefi IIR güdümlü Sungur füzesi ile önüyor.

Grafik: Fatih Mehmet Küçük
3D Ürün Tasarımı: Kaan Azman



PERFORMANCE

Minimum speed	40 km/h
Cruise speed	160 km/h
Maximum speed	190 km/h
Rate of climb	6,1 m/s
Minimum distance T.O.	100 m
Minimum distance landing	5 m
Operational ceiling	4500 m
Cruise fuel consumption	20 l/h
Endurance in hours	5 h
Theoretical range	700 km

TECHNICAL DATA

Cockpit Dimensions	1,40 m (55,12 in)
Overall width	2,2 m (86.62 in)
Length (airframe)	5,1 m (200,79 in)
Height	2,9 m (114,17 in)
Wheel Diameter	350 mm (13.78 in)
Max Payload	240 kg (529 lb)
Max Take-off Weight	560 kg (1234,6 lb)
Engine	AAT Performance
Power	140 KM / HP
Fuel supply system	Turbo + iS



PERFORMANCE

Minimum speed	40 km/h
Cruise speed	160 km/h
Maximum speed	195 km/h
Rate of climb	7,1 m/s
Minimum distance T.O.	85 m
Minimum distance landing	5 m
Operational ceiling	4500 m
Cruise fuel consumption	18 l/h
Endurance in hours	6 h
Theoretical range	800 km

TECHNICAL DATA

Cockpit Dimensions	1,25 m (49.21 in)
Overall width	2,2 m (86.62 in)
Length (airframe)	4,9 m (192.91 in)
Height	2,8 m (110.24 in)
Wheel Diameter	350 mm (13.78 in)
Max Payload	240 kg (529 lb)
Max Take-off Weight	560 kg (1234,6 lb)
Engine	AAT Performance
Power	140 KM / HP
Fuel supply system	Turbo + iS









END OF THE CATALOG

IN ASSOCIATION WITH

PETROBANK GROUP
ARMY TEXTILES

ATF
FERTEL

PETROBANK GROUP
ARMY TEXTILES

FERTEL
FOREIGN TRADE LTD COMPANY

- GYROTURK
- ULUDOĞAN
- PETROBANK
- TUBASSI
- SANN OIL

www.petrobank.net

PETROBANK GROUP

